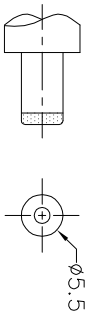
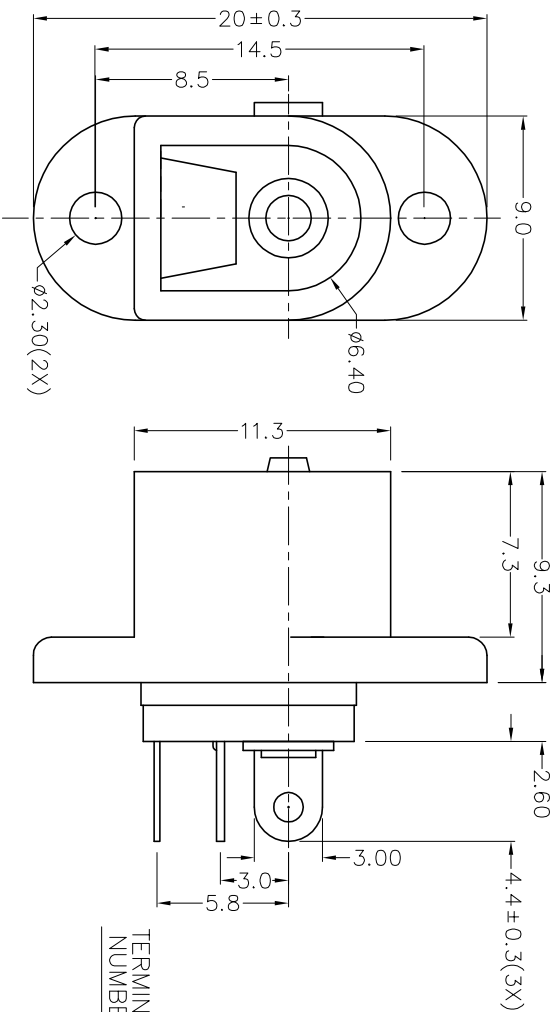
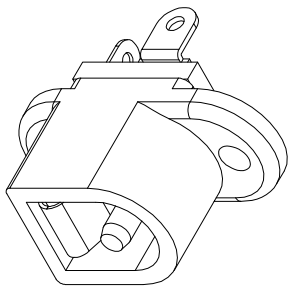


**RoHS**  
Compliant

C		B		A	
ZONE	SYMBOL	REVISION	APPROVAL	DATE	
		ADD MATE PLUG	J.X.KUANG	2-5-2006	



MODEL NO.	TDC-001
SCHEMATIC	
CENTER PIN	φ2mm
	φ2.5mm

**\* MATERIAL**  
 CENTRE PIN : COPPER  
 TERMINAL 1 : BRASS  
 TERMINAL 2 : COPPER ALLOY  
 TERMINAL 3 : BRASS  
 HOUSING : PBT  
 COVER : PBT

**SPECIFICATIONS**

- 1 Insulation resistance of adjacent open terminals shall not be less than 50 Megohms when measured with 500 Volts resistance meter.
- 2 Connector shall withstand 500 Volts (RMS) between adjacent open terminal for one minute.
- 3 Contact resistance of normally closed terminals shall not exceed 0.03 ohms when measured at a current of one Ampere by Voltage drop method.
- 4 Connector shall withstand 5,000 cycles of insertions and withdrawal with testing plug, contact resistance shall not exceed 0.1 ohm.

**TECHNIK INDUSTRIAL CO. LTD.**

PART NAME	DC POWER SOCKET	TOLERANCE UNLESS	0.0±0.2	UNIT:		DESIGN	T.Y.LI	DATE	7-10-2003	SCALE	3:1
PART NO.	TDC-001	OTHERWISE SPECIFIED:	0.00±0.1	mm		DRAWING	T.Y.LI	DATE	2-5-2006	MATERIAL	*
			0.000±0.05			CHECK		DATE		DWG. NO.	TZ\DC001-PBT/B
						APPROVAL		DATE		SHEET	

F

E

D

C

B

A

DCF-04/A