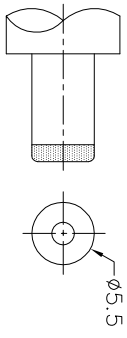
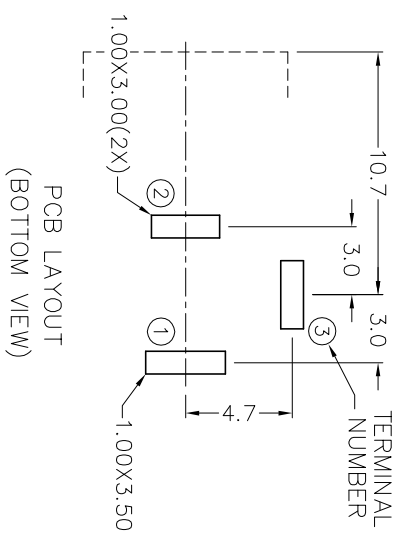
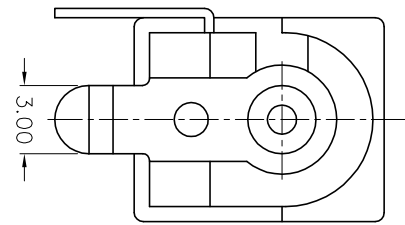
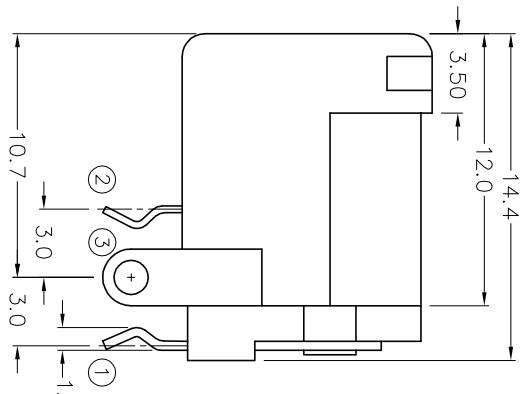
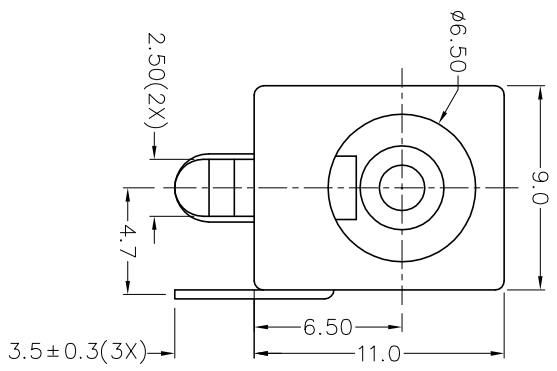
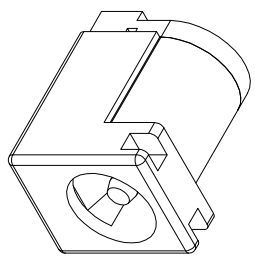


C		B		A	
ZONE	SYMBOL	REVISION	APPROVAL	DATE	
		ADD MATE PLUG	J.X.KUANG	19-9-2006	

**RoHS**  
Compliant



DC MATE PLUG

MODEL NO.	TDC-002-2
SCHEMATIC	
CENTER PIN	φ1.65mm
	φ2mm
	φ2.5mm

**\* MATERIAL**  
 CENTRE PIN : COPPER  
 TERMINAL 1 : BRASS  
 TERMINAL 2 : COPPER ALLOY  
 TERMINAL 3 : BRASS  
 HOUSING : PBT  
 COVER : PBT

**TECHNIK INDUSTRIAL CO. LTD.**

PART NAME	DC POWER SOCKET	TOLERANCE UNLESS	0.0±0.2	UNIT:	mm	DESIGN DRAWING	J.M.KWAN	DATE	16-1-2004	SCALE	3:1
PART NO.	TDC-002-2	OTHERWISE SPECIFIED:	0.00±0.1			CHECK APPROVAL	L.L.ZHANG	DATE	19-9-2006	MATERIAL	*
			0.000±0.05					DATE		DWG. NO.	TZ\DC002-2-PBT/C
								DATE		SHEET	

F

E

D

C

B

A

DCF-04/A

4

3

2

1

4

3

2

1