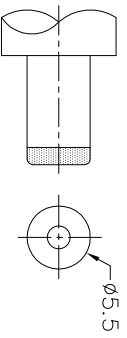
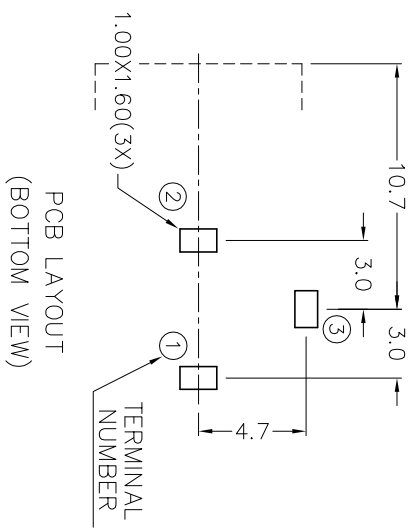
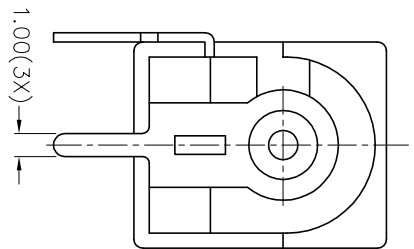
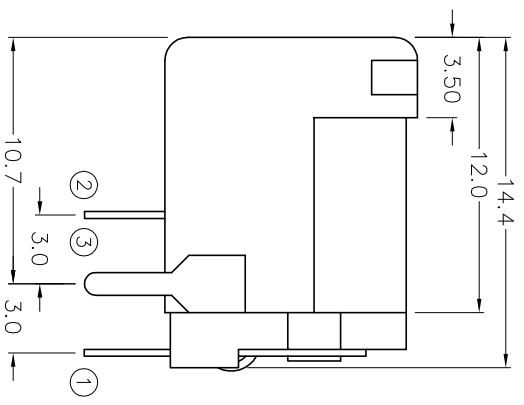
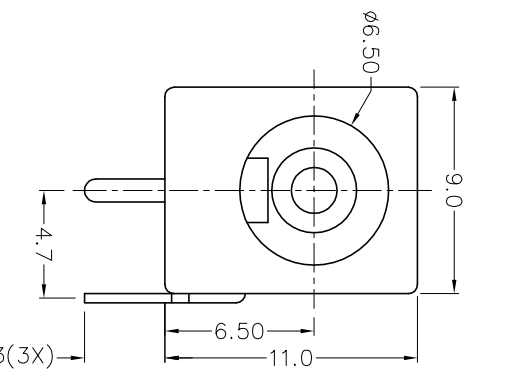
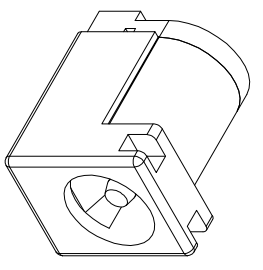


ZONE	SYMBOL	REVISION	APPROVAL	DATE
		ADD MATE PLUG	J.X.KUANG	19-9-2006

RoHS
Compliant



DC MATE PLUG

MODEL NO.	TDC-002-3			
SCHEMATIC				
CENTER PIN	<table border="1"> <tr> <td>Ø1.65mm</td> </tr> <tr> <td>Ø2mm</td> </tr> <tr> <td>Ø2.5mm</td> </tr> </table>	Ø1.65mm	Ø2mm	Ø2.5mm
Ø1.65mm				
Ø2mm				
Ø2.5mm				

*** MATERIAL**
 CENTRE PIN : COPPER
 TERMINAL 1 : BRASS
 TERMINAL 2 : COPPER ALLOY
 TERMINAL 3 : BRASS
 HOUSING : PBT
 COVER : PBT

		DESIGN	T.Y.LI	DATE	30-1-2004	SCALE	3:1
		DRAWING	L.L.ZHANG	DATE	19-9-2006	MATERIAL	*
PART NAME DC POWER SOCKET TOLERANCE UNLESS 0.0±0.2 OTHERWISE SPECIFIED: 0.00±0.1 UNIT: mm		CHECK		DATE		DWG. NO.	TZ\DC002-3-PBT/C
PART NO. TDC-002-3		APPROVAL		DATE		SHEET	

F E D C B A

4 3 2 1

DCP-04/A