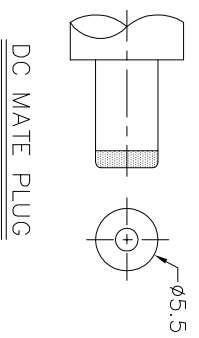
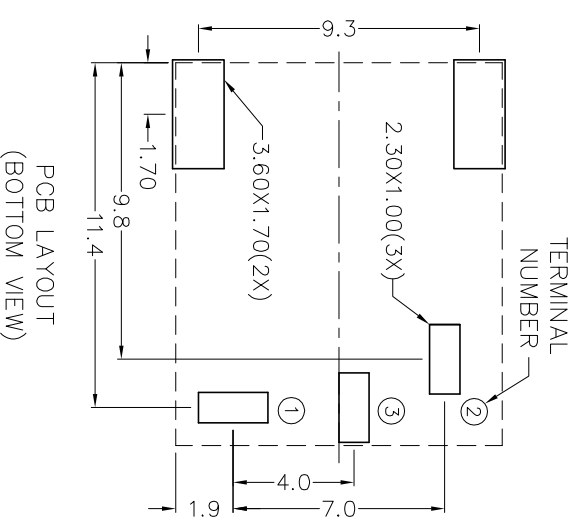
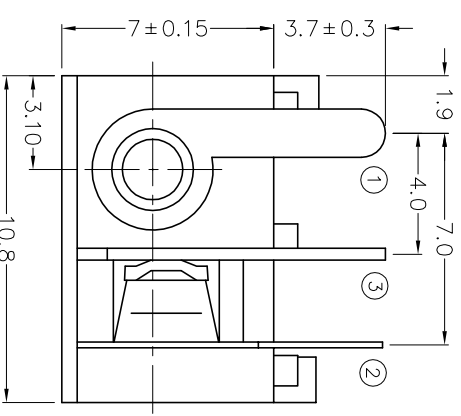
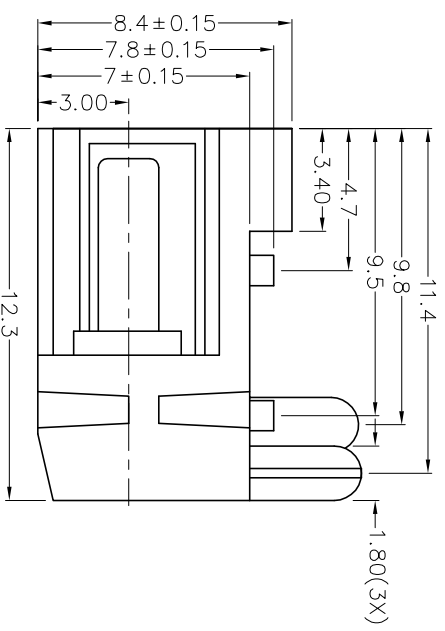
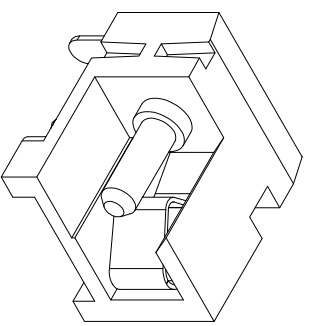


RoHS
Compliant

ZONE	SYMBOL	REVISION	APPROVAL	DATE
		ADD MATE PLUG	J.X.KUANG	20-9-2006



MODEL NO.	TDC-003
SCHEMATIC	
CENTER PIN	ø2mm

*** MATERIAL**
 CENTRE PIN : COPPER
 TERMINAL 1 : BRASS
 TERMINAL 2 : COPPER ALLOY
 TERMINAL 3 : BRASS
 HOUSING : PBT

TECHNIK INDUSTRIAL CO. LTD.

PART NAME	DC POWER SOCKET	TOLERANCE UNLESS	0.0±0.2	UNIT:	mm	DESIGN	J.M.KWAN	DATE	8-10-2003	SCALE	4:1
PART NO.	TDC-003	OTHERWISE SPECIFIED:	0.000±0.1		mm	DRAWING	L.L.ZHANG	DATE	20-9-2006	MATERIAL	*
			0.000±0.05			CHECK		DATE		DWG. NO.	ITZ\DC003-PBT/B
						APPROVAL		DATE		SHEET	

F E D C B A

4 3 2 1