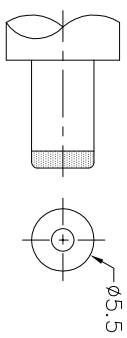
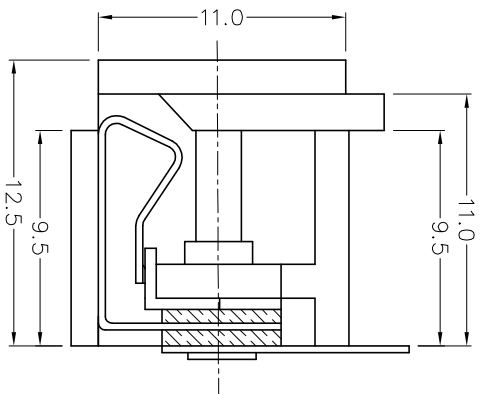
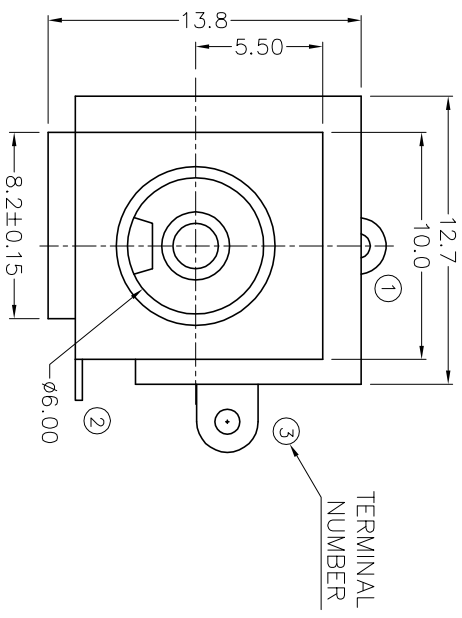


RoHS
Compliant

ZONE	SYMBOL	REVISION	APPROVAL	DATE
		ADD MATE PLUG	J.X.KUANG	20-9-2006



MODEL NO.	TDC-004			
SCHEMATIC				
CENTER PIN	<table border="1"> <tr> <td>Ø2mm</td> </tr> <tr> <td>Ø2.35mm</td> </tr> <tr> <td>Ø2.5mm</td> </tr> </table>	Ø2mm	Ø2.35mm	Ø2.5mm
Ø2mm				
Ø2.35mm				
Ø2.5mm				

* MATERIAL
 CENTRE PIN : COPPER
 TERMINAL 1 : BRASS
 TERMINAL 2 : COPPER ALLOY
 TERMINAL 3 : BRASS
 INSULATOR : PBT
 HOUSING : PBT

DC MATE PLUG



TECHNIK INDUSTRIAL CO. LTD.

PART NAME	DC POWER SOCKET	TOLERANCE UNLESS	0.0±0.2	UNIT:	mm	DESIGN	K.Y.AU-YEUNG	DATE	8-10-2003	SCALE	3:1
PART NO.	TDC-004	OTHERWISE SPECIFIED:	0.00±0.1 0.000±0.05			DRAWING	L.L.ZHANG	DATE	20-9-2006	MATERIAL	*
						CHECK		DATE		DWG. NO.	ITZ\DC004-PBT/B
						APPROVAL		DATE		SHEET	

1

2

3

4

F

E

D

C

B

A

DCF-04/A

1

2

3

4

F

E

D

C

B

A

DCF-04/A

1

2

3

4

F

E

D

C

B

A

DCF-04/A

1

2

3

4

F

E

D

C

B

A

DCF-04/A

1

2

3

4

F

E

D

C

B

A

DCF-04/A

1

2

3

4

F

E

D

C

B

A

DCF-04/A

1

2

3

4

F

E

D

C

B

A

DCF-04/A

1

2

3

4

F

E

D

C

B

A

DCF-04/A

1

2

3

4

F

E

D

C

B

A

DCF-04/A

1

2

3

4

F

E

D

C

B

A

DCF-04/A

1

2

3

4

F

E

D

C

B

A

DCF-04/A

1

2

3

4

F

E

D

C

B

A

DCF-04/A

1

2

3

4

F

E

D

C

B

A

DCF-04/A

1

2

3

4

F

E

D

C

B

A

DCF-04/A

1

2

3

4

F

E

D

C

B

A

DCF-04/A

1

2

3

4

F

E

D

C

B

A

DCF-04/A

1

2

3

4

F

E

D

C

B

A

DCF-04/A

1

2

3

4

F

E

D

C

B

A

DCF-04/A

1

2

3

4

F

E

D

C

B

A

DCF-04/A

1

2

3

4

F

E

D

C

B

A

DCF-04/A

1

2

3

4

F

E

D

C

B

A

DCF-04/A

1

2

3

4

F

E

D

C

B

A

DCF-04/A

1

2

3

4

F

E

D

C

B

A

DCF-04/A

1

2

3

4

F

E

D

C

B

A

DCF-04/A

1

2

3

4

F

E

D

C

B

A

DCF-04/A

1

2

3

4

F

E

D

C

B

A

DCF-04/A