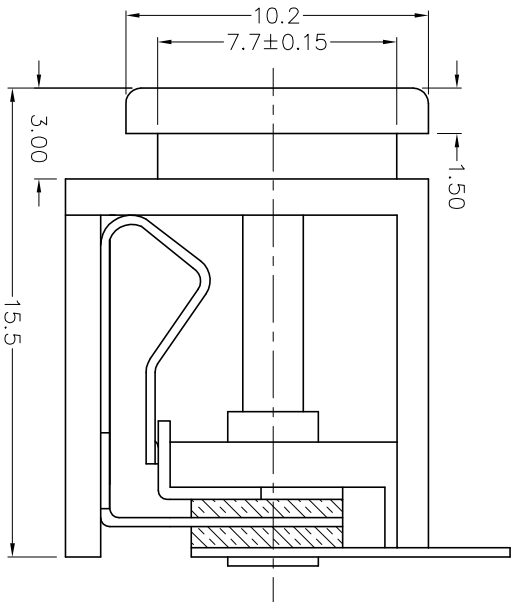
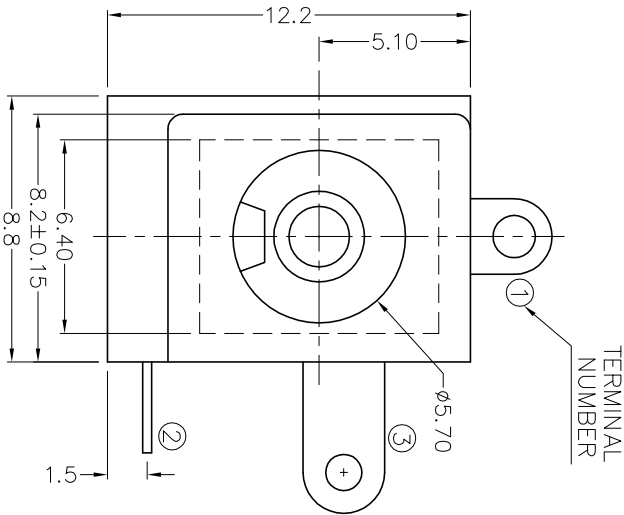
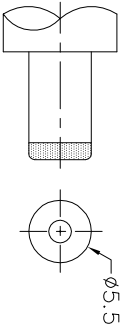


RoHS
Compliant

C		B		A	
ZONE	SYMBOL	REVISION	APPROVAL	DATE	
		ADD MATE PLUG	J.X.KUANG	20-9-2006	



MODEL NO.	TDC-005
SCHEMATIC	1
	2
	3
CENTER PIN	01.45mm
	02mm
	02.35mm
	02.5mm



DC MATE PLUG

* MATERIAL
 CENTRE PIN : COPPER
 TERMINAL 1 : BRASS
 TERMINAL 2 : COPPER ALLOY
 TERMINAL 3 : BRASS
 INSULATOR : PBT
 HOUSING : PBT



TECHNIK INDUSTRIAL CO. LTD.

PART NAME	DC POWER SOCKET	TOLERANCE UNLESS	0.0±0.2	UNIT:	mm	DESIGN	L.L.ZHANG	DATE	26-9-2005	SCALE	4:1
PART NO.	TDC-005	OTHERWISE SPECIFIED:	0.00±0.1			DRAWING	L.L.ZHANG	DATE	20-9-2006	MATERIAL	*
			0.000±0.05			CHECK		DATE		DWG. NO.	TZ\DC005-PBT/D
						APPROVAL		DATE		SHEET	

F

E

D

C

B

A

DCF-04/A

4

3

2

1

4

3

2

1