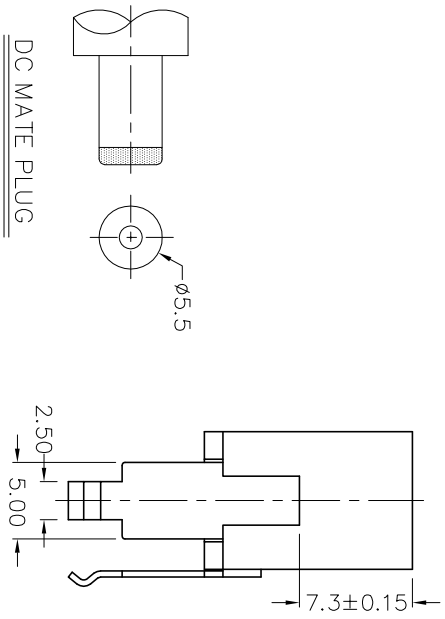
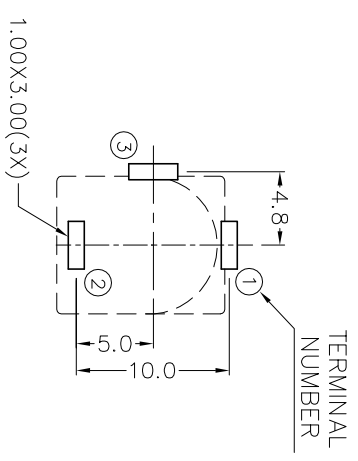
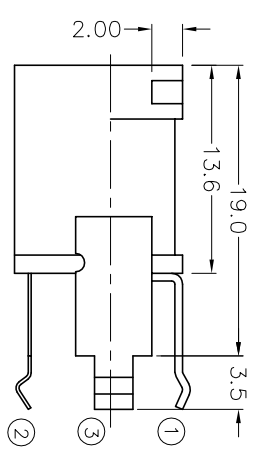
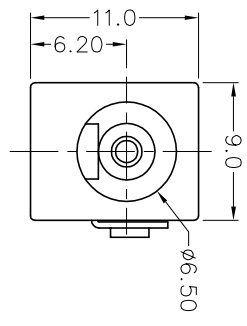
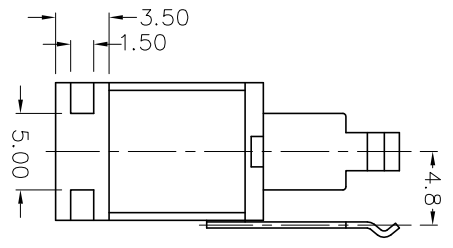
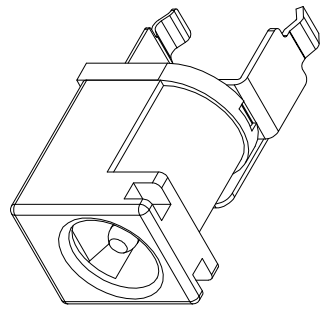


ZONE	SYMBOL	REVISION	APPROVAL	DATE
D4		ADD CENTER PIN ITEM	J.X.KUANG	8-6-2007

RoHS
Compliant



MODEL NO.	TDC-006
SCHEMATIC	
CENTER PIN	$\phi 2.35\text{mm}$ $\phi 2.5\text{mm}$

* MATERIAL
 CENTRE PIN : COPPER
 TERMINAL 1 : BRASS
 TERMINAL 2 : COPPER ALLOY
 TERMINAL 3 : BRASS
 HOUSING : PBT
 COVER : PBT

TECHNIK INDUSTRIAL CO.,LTD.

PART NAME	DC POWER SOCKET	TOLERANCE UNLESS	0.0 \pm 0.2	UNIT:	mm	DESIGN	J.JIANG	DATE	4-6-2004	SCALE	2:1
PART NO.	TDC-006	OTHERWISE SPECIFIED:	0.000 \pm 0.1			CHECK	T.Y.LI	DATE	8-6-2007	MATERIAL	*
			0.000 \pm 0.05			APPROVAL		DATE		DWG. NO.	TZ\DC006-PBT/C
								DATE		SHEET	