

F

E

D

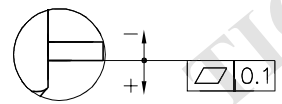
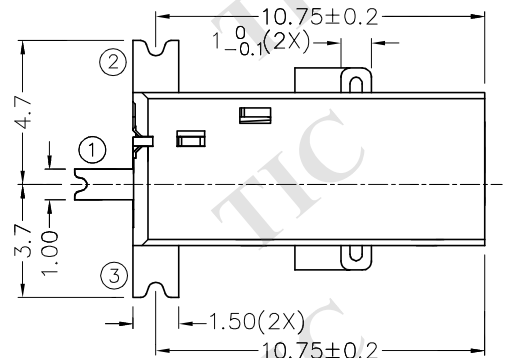
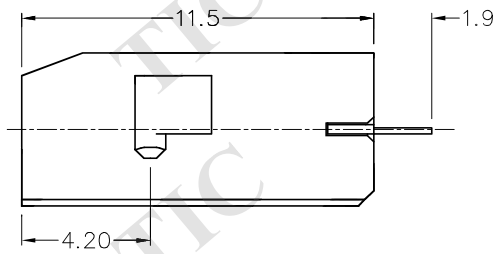
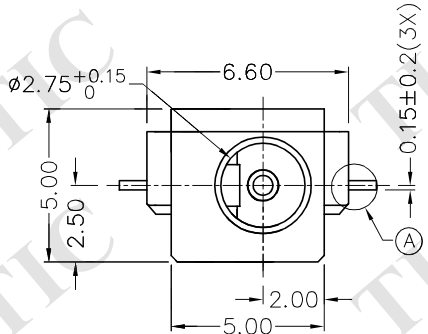
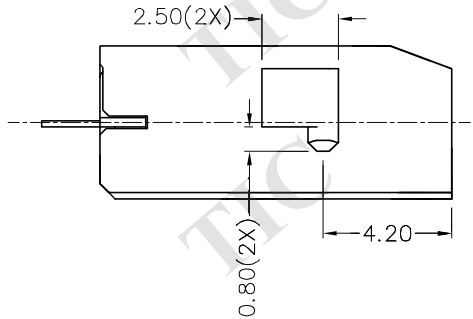
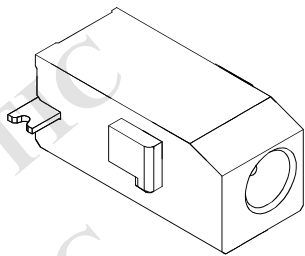
C

B

A

ZONE	SYMBOL	REVISION	APPROVAL	DATE

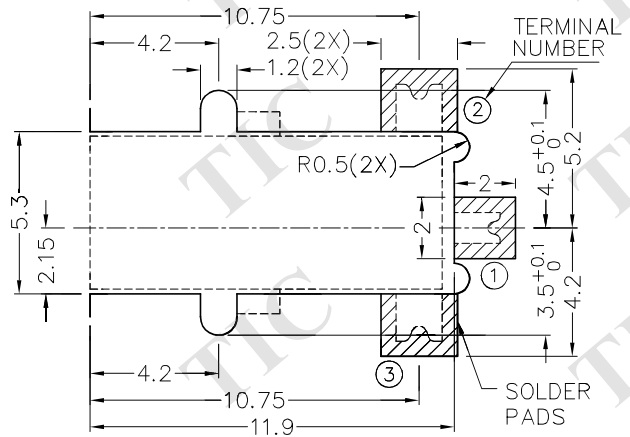
RoHS
Compliant



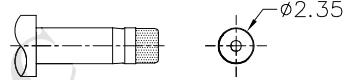
A DETAIL COPLANARITY

*** MATERIAL**

- TERMINAL 1 : BRASS
- TERMINAL 2 : COPPER ALLOY
- TERMINAL 3 : BRASS
- HOUSING : HIGH TEMP. PLASTIC



RECOMMENDED PCB LAYOUT
TOLERANCE: ±0.05
(TOP VIEW)



DC MATE PLUG

MODEL NO.	TDC-097DH
SCHEMATIC	1, 2, 3
CENTER PIN	∅0.65mm



TECHNIK INDUSTRIAL CO. LTD.

DESIGN	CH.XIONG	DATE	15-11-2011	SCALE	4:1
DRAWING	J.CH.OU	DATE	8-11-2016	MATERIAL	*
CHECK	T.Y.LI	DATE	8-11-2016	DWG. NO.	TZ\DC097DH-A/1.0
APPROVAL		DATE		SHEET	

PART NAME	HIGH CURRENT SMD DC POWER SOCKET	TOLERANCE UNLESS	0.0±0.2	UNIT:	
PART NO.	TDC-097DH	OTHERWISE SPECIFIED:	0.00±0.1 0.000±0.05	mm	

F

E

D

C

B

A