

F

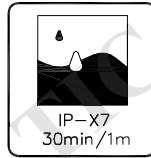
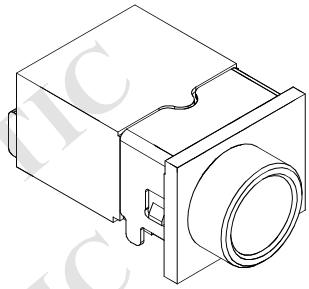
E

D

C

B

A

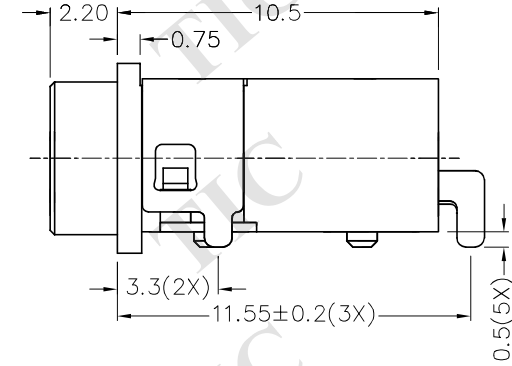
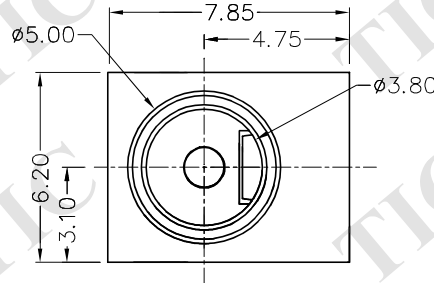
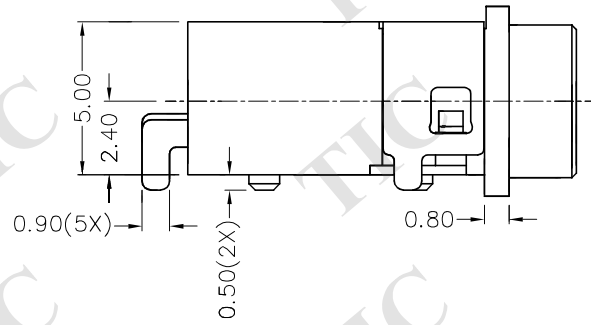


RoHS
Compliant

ZONE	SYMBOL	REVISION	APPROVAL	DATE

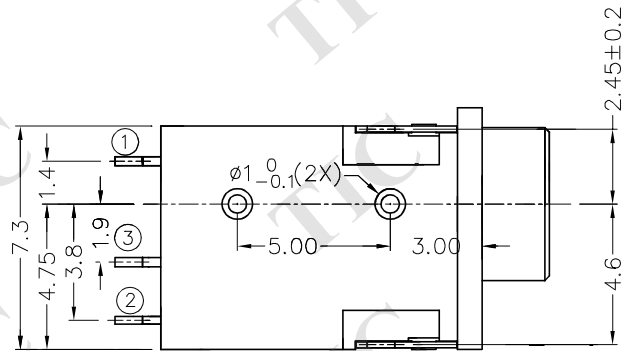
1

1



2

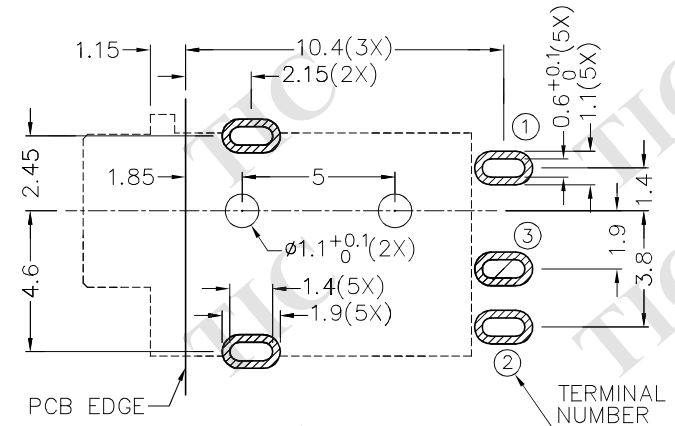
2



* MATERIAL

- TERMINAL 1 : BRASS
- TERMINAL 2 : COPPER ALLOY
- TERMINAL 3 : BRASS
- SHIELD : BRASS
- HOUSING : HIGH TEMP. PLASTIC
- COVER : HIGH TEMP. PLASTIC

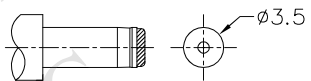
MODEL NO.	TWP-1001HS
SCHEMATIC	
CENTER PIN	ø1.3mm



RECOMMENDED PCB LAYOUT
TOLERANCE: ±0.05
(TOP VIEW)

3

3



DC MATE PLUG

4

4



TECHNIK INDUSTRIAL CO.LTD.

DESIGN	H.L.TAN	DATE	9-10-2015	SCALE	4:1
DRAWING	J.H.ZHOU	DATE	20-3-2017	MATERIAL	*
CHECK	T.Y.LI	DATE	20-3-2017	DWG. NO.	TZ\WP1001HS-A/1.0
APPROVAL		DATE		SHEET	

PART NAME	HIGH CURRENT WATERPROOF DC POWER SOCKET	TOLERANCE UNLESS	0.0±0.2	UNIT:	mm
PART NO.	TWP-1001HS	OTHERWISE SPECIFIED:	0.00±0.1 0.000±0.05		

F

E

D

C

B

A