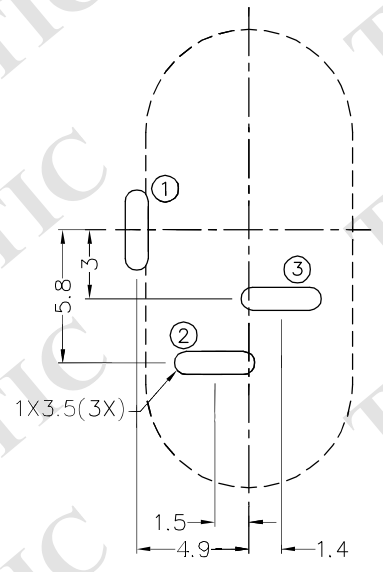
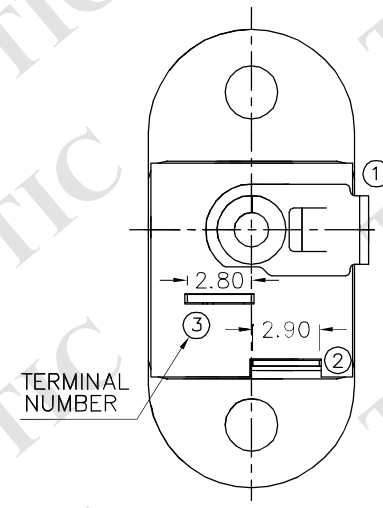
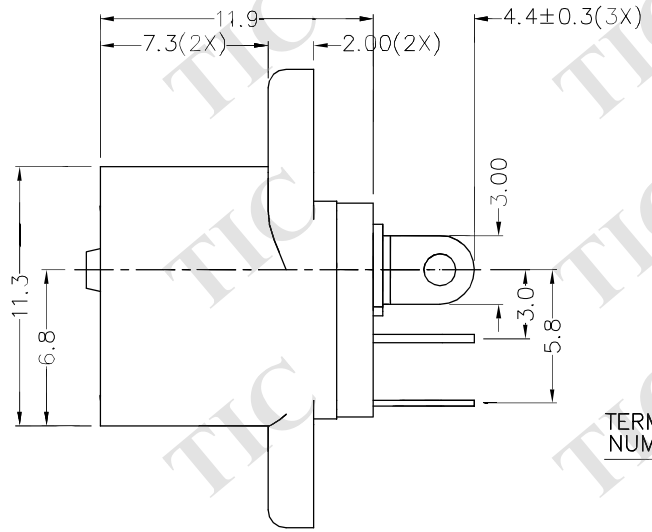
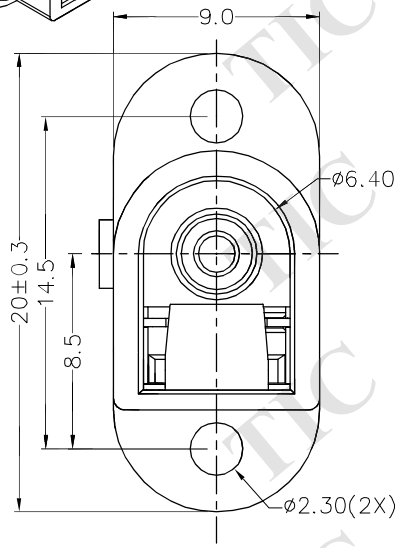
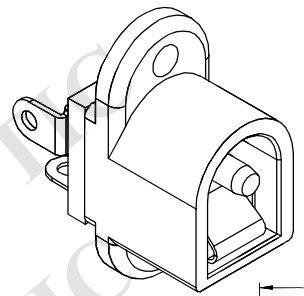


F E D C B A

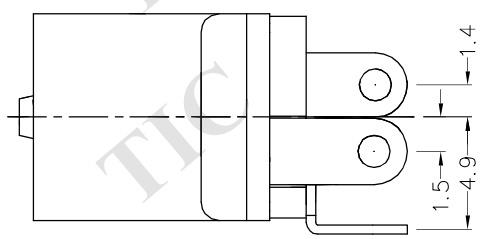
RoHS  
Compliant

ZONE	SYMBOL	REVISION	APPROVAL	DATE
		UPDATE DIMENSIONS	J.X.KUANG	2-7-2020

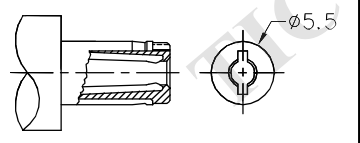


RECOMMENDED PCB LAYOUT  
TOLERANCE: ±0.05  
(TOP VIEW)

\* MATERIAL  
CENTRE PIN : COPPER  
TERMINAL 1 : BRASS  
TERMINAL 2 : COPPER ALLOY  
TERMINAL 3 : BRASS  
HOUSING : THERMOPLASTIC  
COVER : THERMOPLASTIC



MODEL NO.	TDC-001
SCHEMATIC	
CENTER PIN	∅2mm
	∅2.5mm



RECOMMENDED  
DC MATING PLUG

TIC TECHNIK INDUSTRIAL CO. LTD.

PART NAME	DC POWER SOCKET	TOLERANCE UNLESS	0.0±0.2	UNIT:
PART NO.	TDC-001	OTHERWISE SPECIFIED:	0.00±0.1 0.000±0.05	

DESIGN	L.L.ZHANG	DATE	7-10-2003	SCALE	3:1
DRAWING	R.L.CHEN	DATE	2-7-2020	MATERIAL	*
CHECK	H.L.TAN	DATE	2-7-2020	DWG. NO.	TZ\DC001-B/2.1
APPROVAL		DATE		SHEET	1/1

F E D C B A