

F

E

D

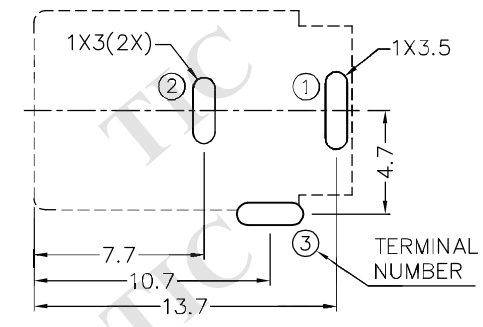
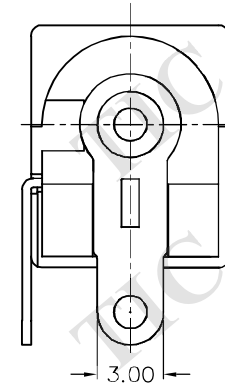
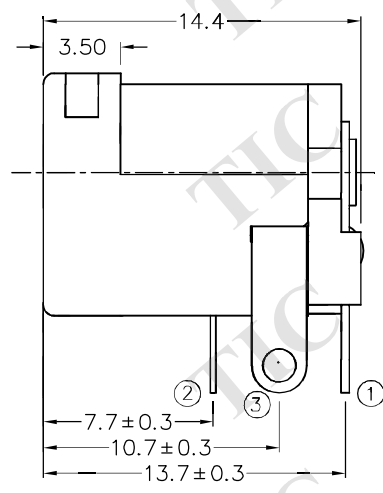
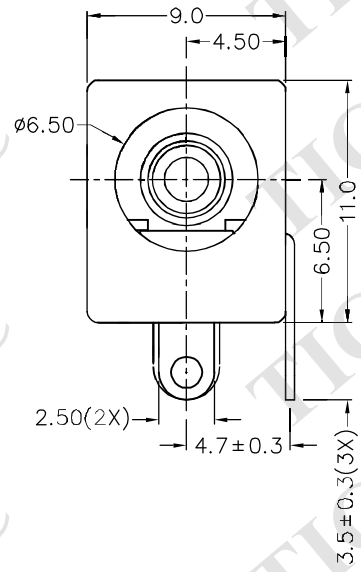
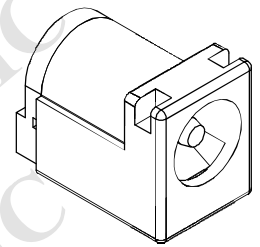
C

B

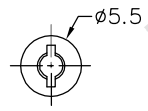
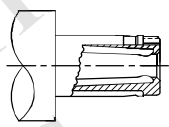
A

ZONE	SYMBOL	REVISION	APPROVAL	DATE

RoHS
Compliant



RECOMMENDED PCB LAYOUT
TOLERANCE: ±0.05
(TOP VIEW)



DC MATE PLUG

MODEL NO.	TDC-002-1
SCHEMATIC	
CENTER PIN	ø1.65mm
	ø2mm
	ø2.5mm

- * MATERIAL
- CENTRE PIN : COPPER
 - TERMINAL 1 : BRASS
 - TERMINAL 2 : COPPER ALLOY
 - TERMINAL 3 : BRASS
 - HOUSING : THERMOPLASTIC
 - COVER : THERMOPLASTIC



TECHNIK INDUSTRIAL CO.LTD.

DESIGN	T.Y.LI	DATE	18-10-2005	SCALE	3:1
DRAWING	H.Q.ZHOU	DATE	9-9-2016	MATERIAL	*
CHECK	H.L.TAN	DATE	9-9-2016	DWG. NO.	TZ\DC002-1-B/1.0
APPROVAL		DATE	9-9-2016	SHEET	

PART NAME	DC POWER SOCKET	TOLERANCE UNLESS	0.0±0.2	UNIT:
PART NO.	TDC-002-1	OTHERWISE SPECIFIED:	0.00±0.1 0.000±0.05	

F

E

D

C

B

A