

F

E

D

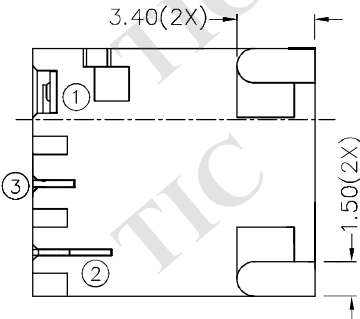
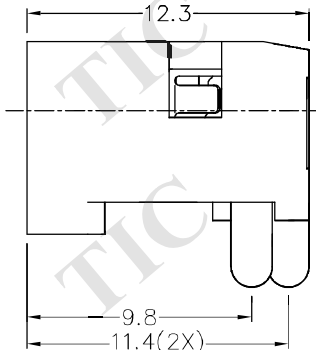
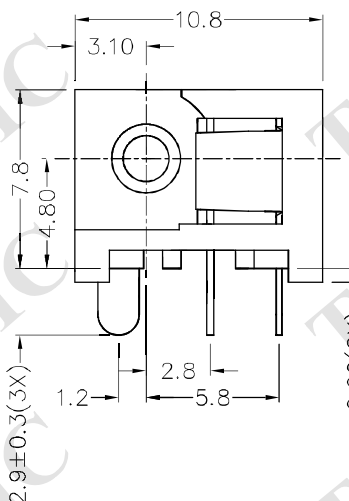
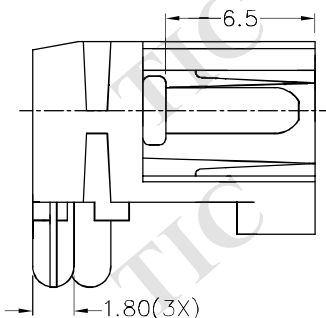
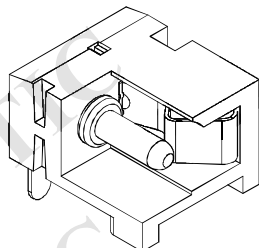
C

B

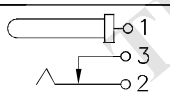
A

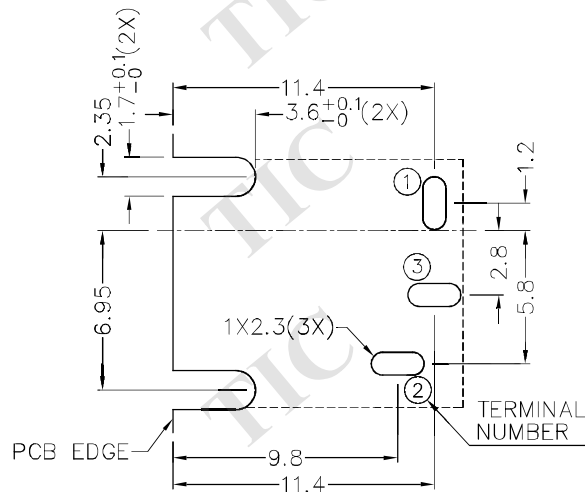
RoHS Compliant

| ZONE | SYMBOL | REVISION        | APPROVAL  | DATE      |
|------|--------|-----------------|-----------|-----------|
|      |        | DESIGN MODIFIED | J.X.KUANG | 28-4-2017 |
|      |        |                 |           |           |

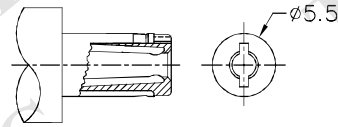


\* MATERIAL  
 CENTRE PIN : COPPER  
 TERMINAL 1 : BRASS  
 TERMINAL 2 : COPPER ALLOY  
 TERMINAL 3 : BRASS  
 HOUSING : THERMOPLASTIC

|            |   |
|------------|---|
| MODEL NO.  | TDC-003   |
| SCHEMATIC  |  |
| CENTER PIN | ø2mm  |
|            | ø2.5mm  |



RECOMMENDED PCB LAYOUT  
 TOLERANCE: ±0.05  
 (TOP VIEW)




DC MATE PLUG



TECHNIK INDUSTRIAL CO. LTD.

|          |          |      |           |          |                |
|----------|----------|------|-----------|----------|----------------|
| DESIGN   | J.M.KWAN | DATE | 8-10-2003 | SCALE    | 3:1            |
| DRAWING  | H.Q.ZHOU | DATE | 28-4-2017 | MATERIAL | *              |
| CHECK    | T.Y.LI   | DATE | 28-4-2017 | DWG. NO. | TZ\DC003-B/2.0 |
| APPROVAL |          | DATE |           | SHEET    |                |

|           |                 |                      |                        |   |
|-----------|-----------------|----------------------|------------------------|---|
| PART NAME | DC POWER SOCKET | TOLERANCE UNLESS     | 0.0±0.2                | UNIT:  |
| PART NO.  | TDC-003         | OTHERWISE SPECIFIED: | 0.00±0.1<br>0.000±0.05 |   |

F

E

D

C

B

A