

F

E

D

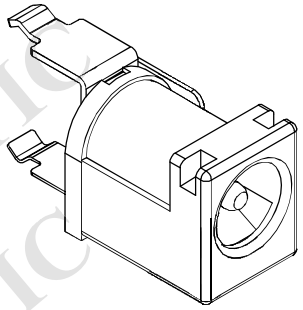
C

B

A

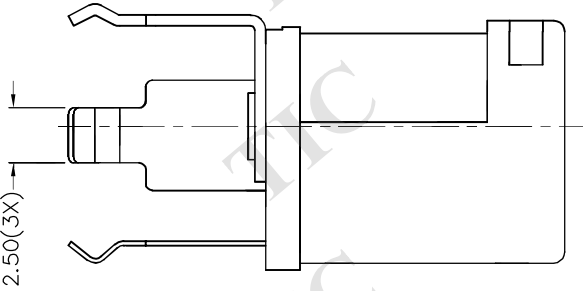
ZONE	SYMBOL	REVISION	APPROVAL	DATE

RoHS
Compliant



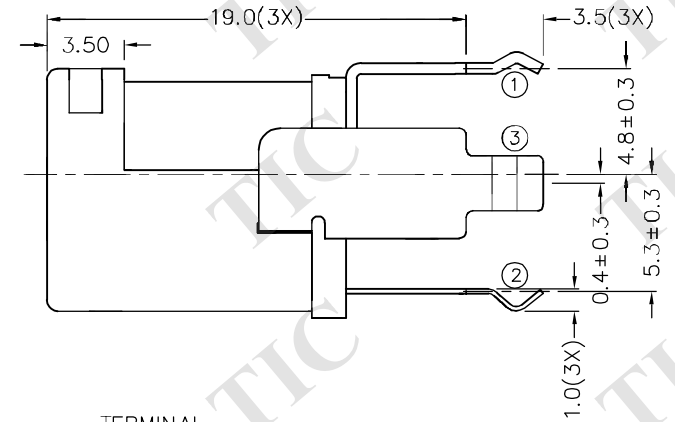
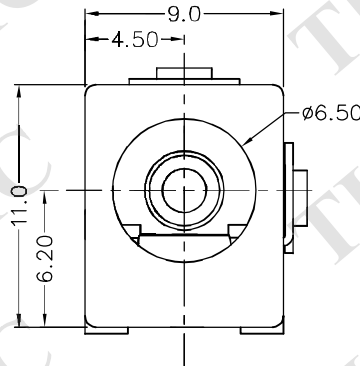
1

1



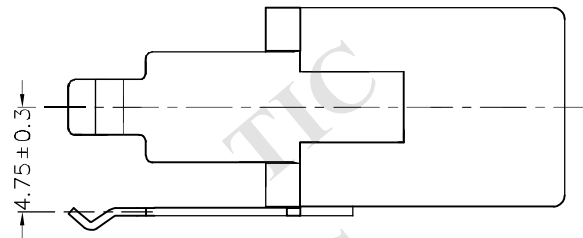
2

2



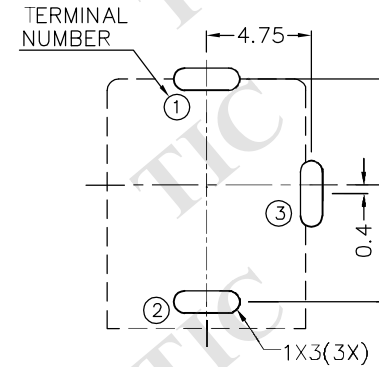
3

3



* MATERIAL

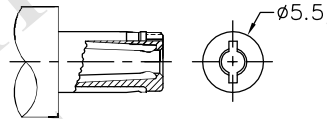
- CENTRE PIN : COPPER
- TERMINAL 1 : BRASS
- TERMINAL 2 : COPPER ALLOY
- TERMINAL 3 : BRASS
- HOUSING : THERMOPLASTIC
- COVER : THERMOPLASTIC



RECOMMENDED PCB LAYOUT
TOLERANCE: ±0.05
(TOP VIEW)

4

4



DC MATE PLUG

MODEL NO.	TDC-006
SCHMATIC	
CENTER PIN	$\phi 2\text{mm}$ $\phi 2.35\text{mm}$ $\phi 2.5\text{mm}$



TECHNIK INDUSTRIAL CO.LTD.

PART NAME	DC POWER SOCKET	TOLERANCE UNLESS	0.0±0.2	UNIT:	
PART NO.	TDC-006	OTHERWISE SPECIFIED:	0.00±0.1 0.000±0.05	mm	

DESIGN	J.JIANG	DATE	4-6-2004	SCALE	3:1
DRAWING	T.Y.LI	DATE	22-9-2016	MATERIAL	*
CHECK	H.L.TAN	DATE	22-9-2016	DWG. NO.	TZ\DC006-B/1.0
APPROVAL		DATE	23-9-2016	SHEET	

F

E

D

C

B

A