

F

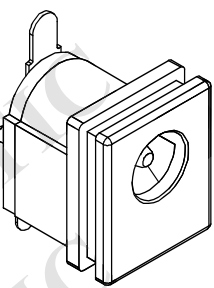
E

D

C

B

A

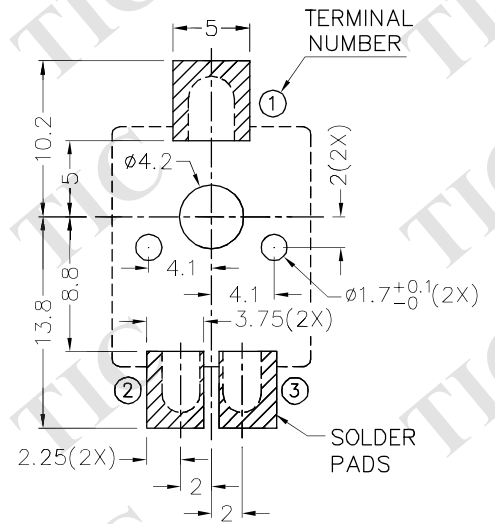
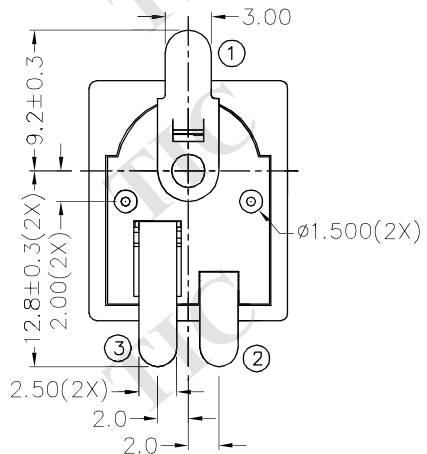
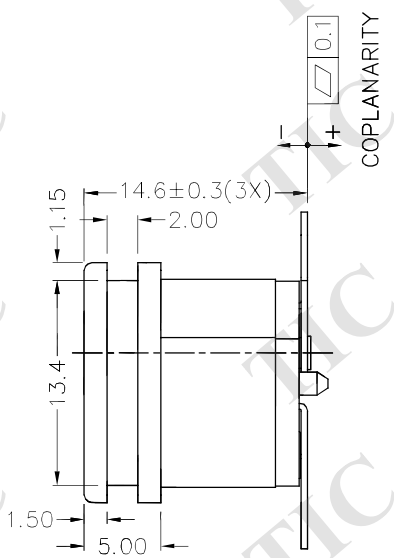
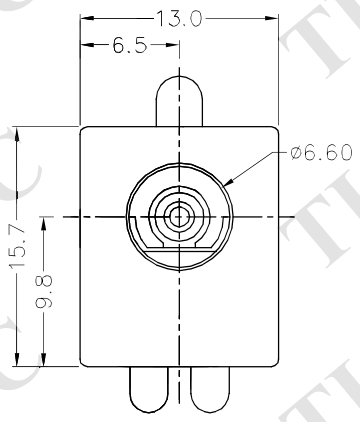


**RoHS**  
Compliant

ZONE	SYMBOL	REVISION	APPROVAL	DATE
		UPDATE THE DRAWING	J.X.KUANG	2-11-2020

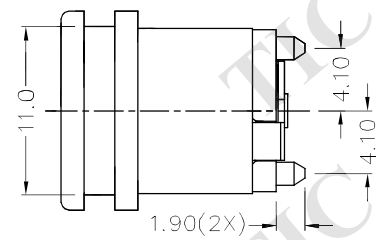
1

1



2

2

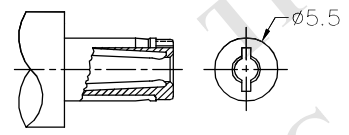


**\* MATERIAL**

- CENTRE PIN : COPPER
- TERMINAL 1 : BRASS
- TERMINAL 2 : COPPER ALLOY
- TERMINAL 3 : BRASS
- HOUSING : HIGH TEMP. PLASTIC
- COVER : HIGH TEMP. PLASTIC

RECOMMENDED PCB LAYOUT  
TOLERANCE: ±0.05  
(TOP VIEW)

MODEL NO.	TDC-025H
SCHEMATIC	
CENTER PIN	$\phi 2.000\text{mm}$
	$\phi 2.5^{+0}_{-0.1}\text{mm}$



RECOMMENDED  
DC MATING PLUG

3

3

4

4

**TIC** TECHNIK INDUSTRIAL CO. LTD.

DESIGN	L.L.ZHANG	DATE	14-10-2005	SCALE	2:1
DRAWING	H.Q.ZHOU	DATE	2-11-2020	MATERIAL	*
CHECK	H.L.TAN	DATE	2-11-2020	DWG. NO.	TZ\DC025H-A/1.1
APPROVAL		DATE		SHEET	1/1

PART NAME	HIGH CURRENT SMD DC POWER SOCKET	TOLERANCE UNLESS	0.0±0.2 0.00±0.1	UNIT:	
PART NO.	TDC-025H	OTHERWISE SPECIFIED:	0.000±0.05		

F

E

D

C

B

A