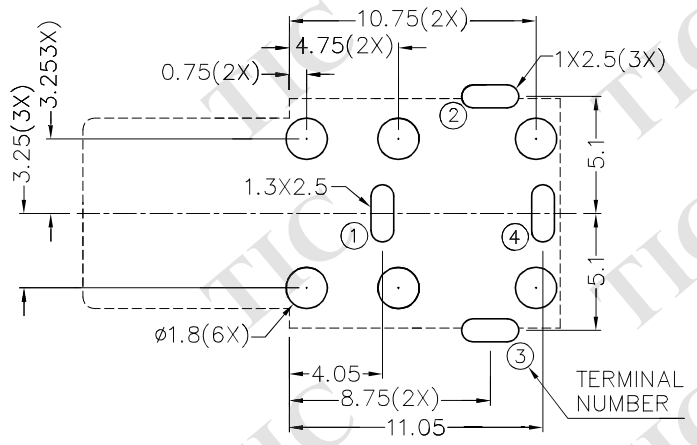
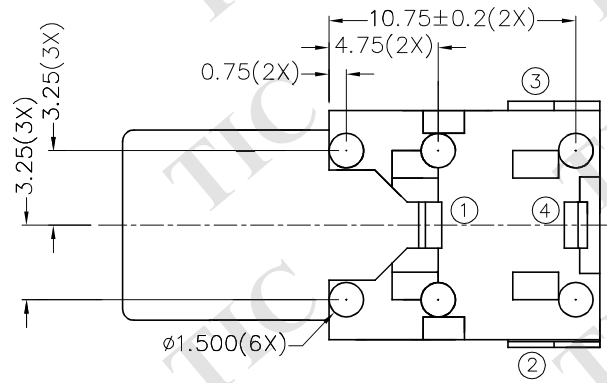
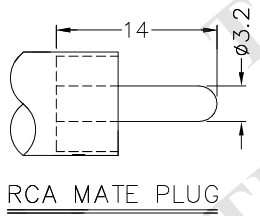
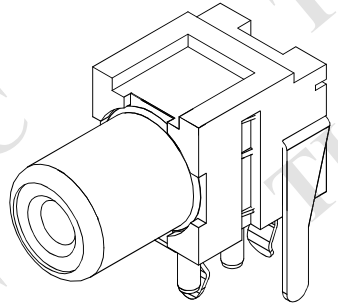
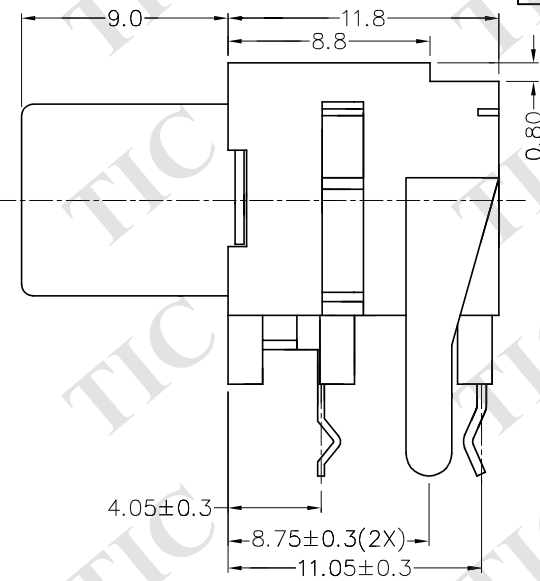
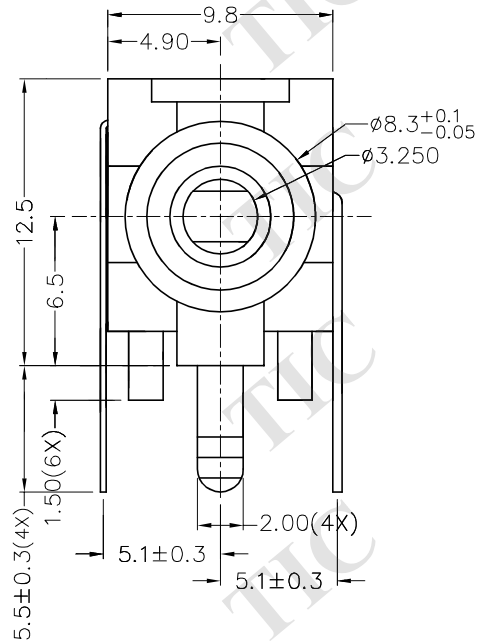


F E D C B A

ZONE	SYMBOL	REVISION	APPROVAL	DATE

RoHS
Compliant



- * MATERIAL
- TERMINAL 1 : C.R.STEEL
 - TERMINAL 2 : COPPER ALLOY
 - TERMINAL 3 : BRASS
 - TERMINAL 4 : COPPER ALLOY
 - HOUSING : THERMOPLASTIC

COLOR CODE	MODEL NO.	TRC-005-4	TRC-005-3	TRC-005-2A	TRC-005-2B
B BLACK	SCHEMATIC				
R RED					
W WHITE					
Y YELLOW					



TECHNIK INDUSTRIAL CO. LTD.

PART NAME	RCA SOCKET	TOLERANCE UNLESS	0.0±0.2	UNIT:	mm
PART NO.	TRC-005	OTHERWISE SPECIFIED:	0.00±0.1 0.000±0.05		

DESIGN	K.YAU-YEUNG	DATE	29-9-2003	SCALE	3:1
DRAWING	T.Y.LI	DATE	21-3-2017	MATERIAL	*
CHECK	H.L.TAN	DATE	21-3-2017	DWG. NO.	TZ\RC005-B/1.0
APPROVAL		DATE		SHEET	

F E D C B A