

F

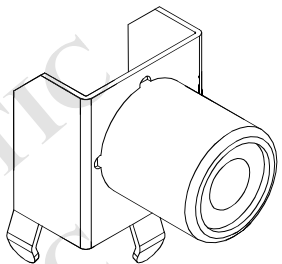
E

D

C

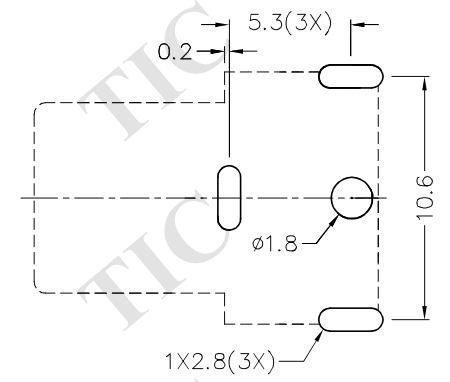
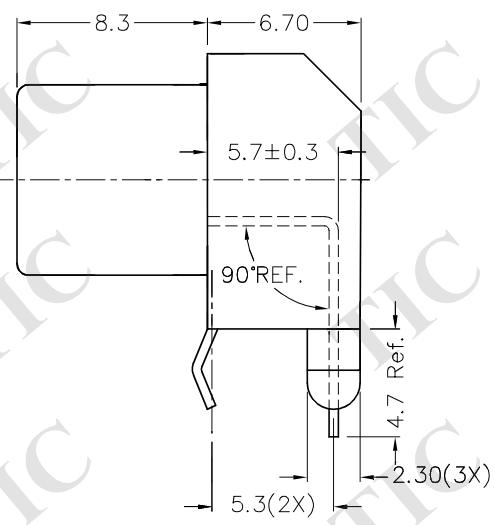
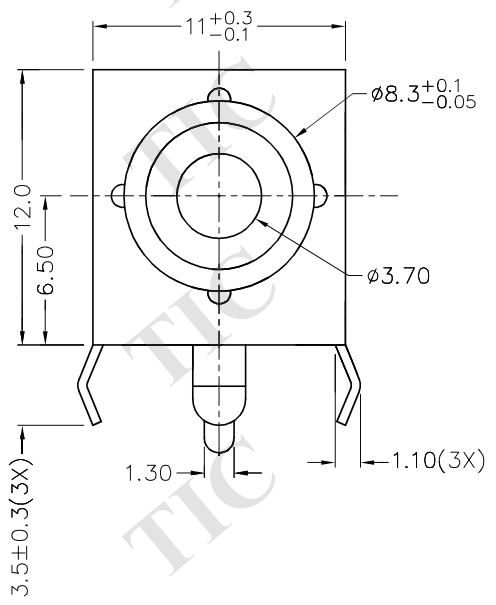
B

A

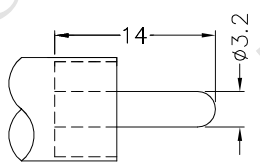


RoHS
Compliant

ZONE	SYMBOL	REVISION	APPROVAL	DATE



RECOMMENDED PCB LAYOUT
TOLERANCE: ±0.05
(TOP VIEW)



RCA MATE PLUG

* MATERIAL

- SHELL : BRASS
- BRACKET : C.R.STEEL
- CENTRE CONTACT : BRASS
- INSULATION WASHER : THERMOPLASTIC



TECHNIK INDUSTRIAL CO.LTD.

DESIGN	J.JIANG	DATE	2-6-2004	SCALE	3:1
DRAWING	Y.J.GUO	DATE	21-3-2017	MATERIAL	*
CHECK	T.Y.LI	DATE	21-3-2017	DWG. NO.	TZ\RC008-B/1.0
APPROVAL		DATE		SHEET	

PART NAME	RCA SOCKET	TOLERANCE UNLESS	0.0±0.2	UNIT:	mm
PART NO.	TRC-008	OTHERWISE SPECIFIED:	0.00±0.1 0.000±0.05		

F

E

D

C

B

A