

F

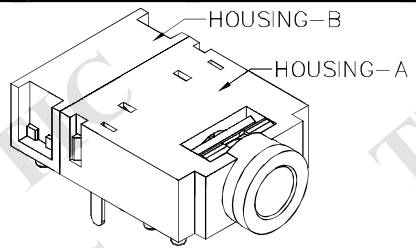
E

D

C

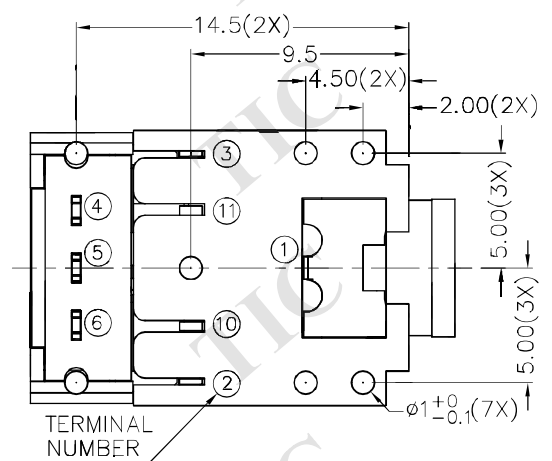
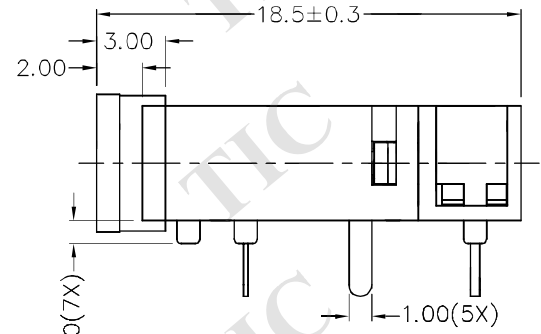
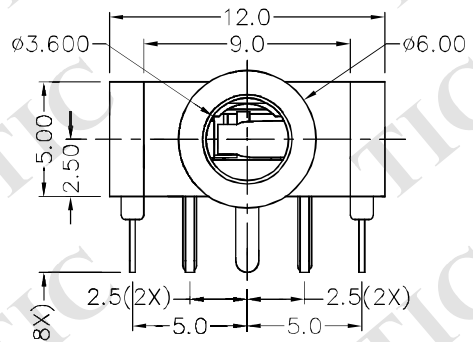
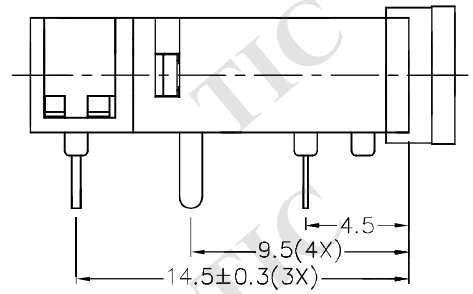
B

A

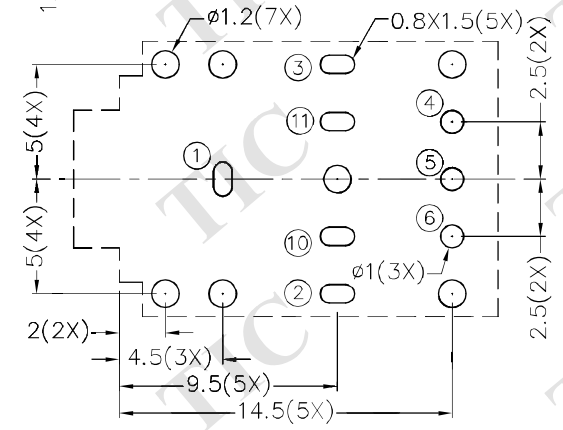


RoHS
Compliant

ZONE	SYMBOL	REVISION	APPROVAL	DATE

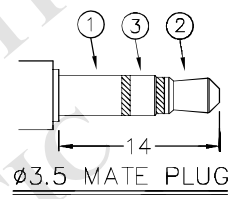


- * MATERIAL
- TERMINAL 1 : COPPER ALLOY
 - TERMINAL 2 : STAINLESS STEEL
 - TERMINAL 3 : COPPER ALLOY
 - TERMINAL 10 : BRASS
 - TERMINAL 11 : BRASS
 - TERMINAL 4,5,6 : BRASS
 - BUSHING : BRASS
 - HOUSING-A : THERMOPLASTIC
 - HOUSING-B : THERMOPLASTIC
 - INSULATOR : THERMOPLASTIC
 - PIN BOARD : THERMOPLASTIC
 - CONTACT CLIP : COPPER ALLOY



RECOMMENDED PCB LAYOUT
TOLERANCE: ±0.05
(TOP VIEW)

TERMINAL NUMBER



MODEL NO.	TSH-3515-12	TSH-3514A-12	TSH-3514B-12	TSH-3513-12	TSH-3513A-12	TSH-3512-12
SCHEMATIC						



TECHNIK INDUSTRIAL CO.LTD.

DESIGN	J.M.KWAN	DATE	6-10-2003	SCALE	3:1
DRAWING	Y.J.GUO	DATE	18-11-2016	MATERIAL	*
CHECK	T.Y.LI	DATE	18-11-2016	DWG. NO.	TZ\SH351-12-B/1.0
APPROVAL		DATE		SHEET	

PART NAME	3.5mm STEREO JACK	TOLERANCE UNLESS	0.0±0.2	UNIT:	mm
PART NO.	TSH-351-12	OTHERWISE SPECIFIED:	0.00±0.1 0.000±0.05		

F

E

D

C

B

A