

F

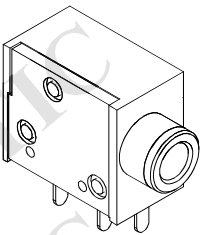
E

D

C

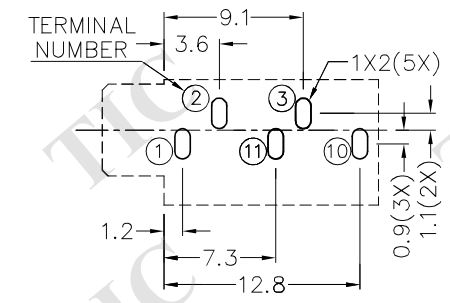
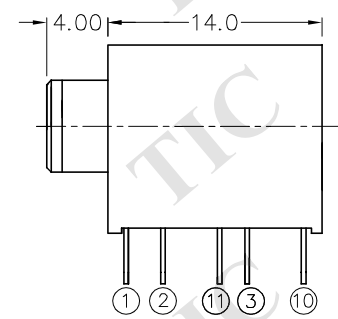
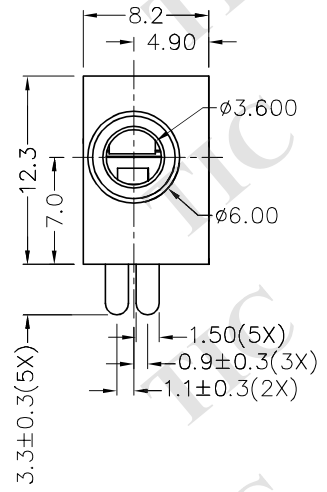
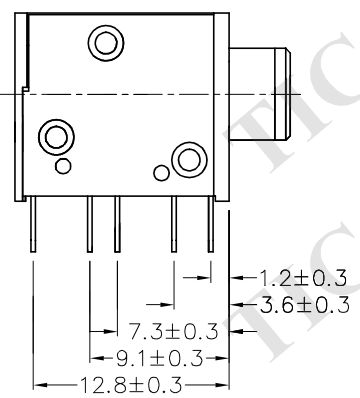
B

A

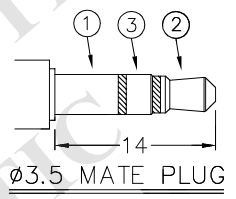


RoHS
Compliant

ZONE	SYMBOL	REVISION	APPROVAL	DATE



RECOMMENDED PCB LAYOUT
TOLERANCE: ±0.05
(TOP VIEW)



MODEL NO.	TSH-3655	TSH-3654A	TSH-3654B	TSH-3653	TSH-3653A
SCHEMATIC					

* MATERIAL

- TERMINAL 1 : BRASS
- TERMINAL 2 : BRASS
- TERMINAL 3 : BRASS
- TERMINAL 10 : BRASS
- TERMINAL 11 : BRASS
- BUSHING : BRASS
- SPRING : STAINLESS STEEL
- HOUSING : THERMOPLASTIC
- COVER : THERMOPLASTIC



TECHNIK INDUSTRIAL CO. LTD.

DESIGN	J.X.KUANG	DATE	21-7-2005	SCALE	2:1
DRAWING	H.Q.ZHOU	DATE	15-12-2016	MATERIAL	*
CHECK	T.Y.LI	DATE	15-12-2016	DWG. NO.	TZ\SH365-B/1.0
APPROVAL		DATE		SHEET	

PART NAME	3.5mm STEREO JACK	TOLERANCE UNLESS	0.0±0.2	UNIT:
PART NO.	TSH-365	OTHERWISE SPECIFIED:	0.00±0.1 0.000±0.05	

F

E

D

C

B

A