

F

E

D

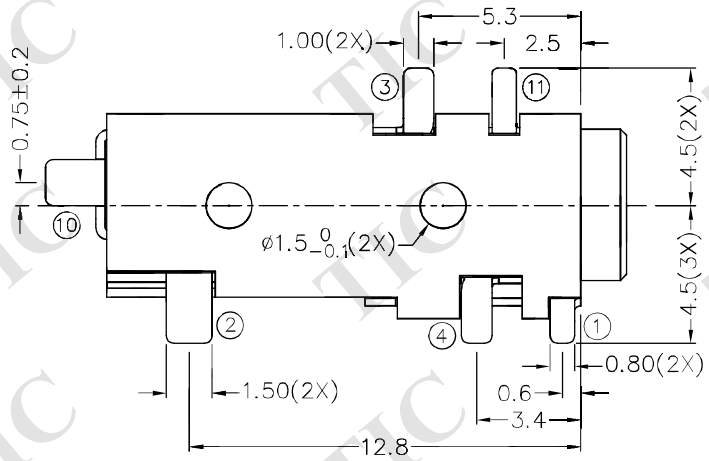
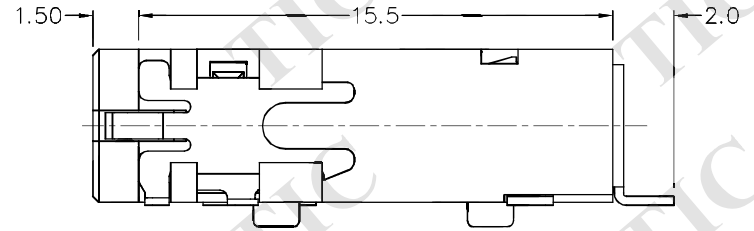
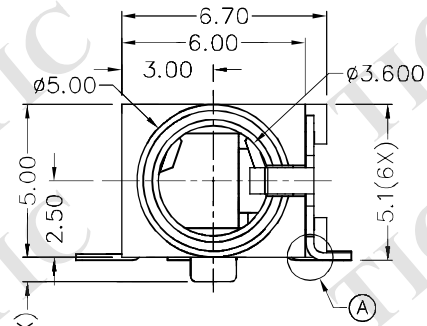
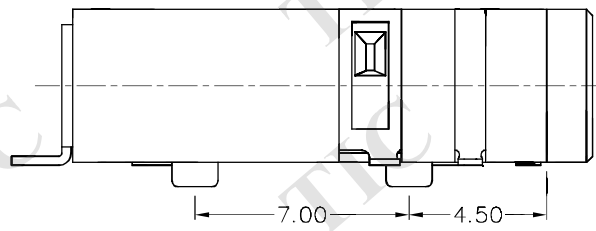
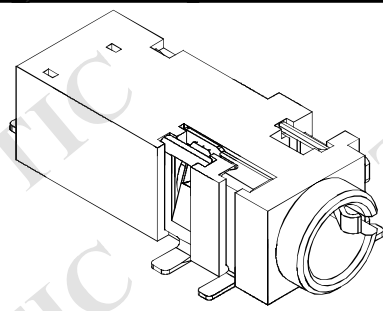
C

B

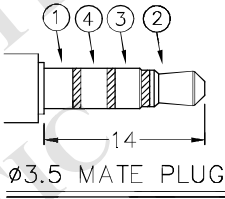
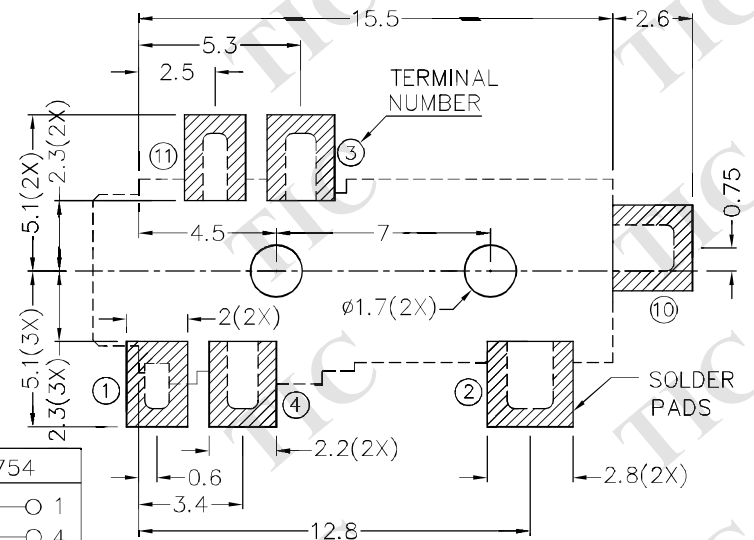
A

RoHS  
Compliant

ZONE	SYMBOL	REVISION	APPROVAL	DATE



**\* MATERIAL**  
 TERMINAL 1 : COPPER ALLOY  
 TERMINAL 2 : COPPER ALLOY  
 TERMINAL 3 : COPPER ALLOY  
 TERMINAL 4 : COPPER ALLOY  
 TERMINAL 10 : BRASS  
 TERMINAL 11 : COPPER ALLOY  
 HOUSING : HIGH TEMP. PLASTIC



MODEL NO.	TSH-3756	TSH-3755A	TSH-3755B	TSH-3754
SCHEMATIC				

RECOMMENDED PCB LAYOUT  
 TOLERANCE: ±0.05  
 (TOP VIEW)



TECHNIK INDUSTRIAL CO. LTD.

DESIGN	J.X.KUANG	DATE	3-5-2004	SCALE	4:1
DRAWING	T.Y.LI	DATE	23-12-2016	MATERIAL	*
CHECK	H.L.TAN	DATE	23-12-2016	DWG. NO.	TZ\SH375-A/1.0
APPROVAL		DATE		SHEET	

PART NAME	3.5mm SMD STEREO JACK	TOLERANCE UNLESS	0.0±0.2	UNIT:	
PART NO.	TSH-375	OTHERWISE SPECIFIED:	0.00±0.1 0.000±0.05	mm	

F

E

D

C

B

A