

F

E

D

C

B

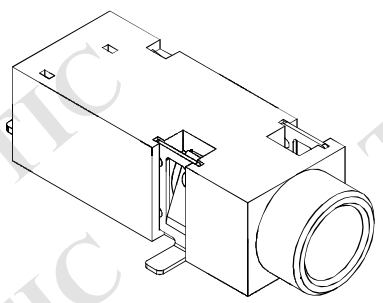
A

RoHS
Compliant

ZONE	SYMBOL	REVISION	APPROVAL	DATE

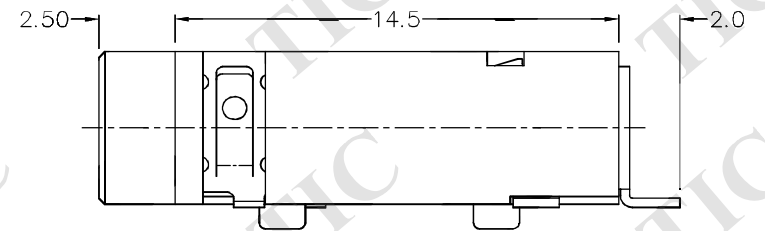
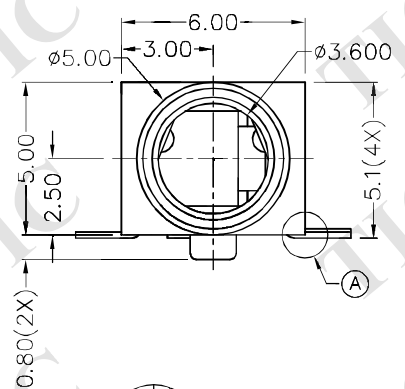
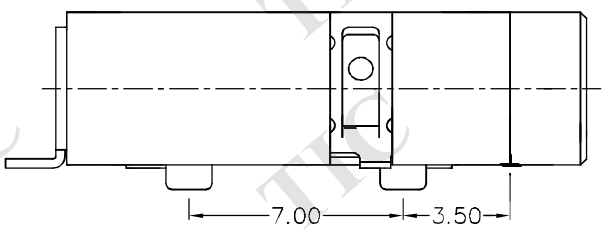
1

1



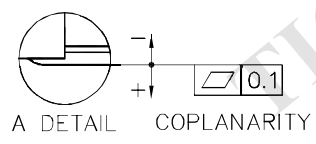
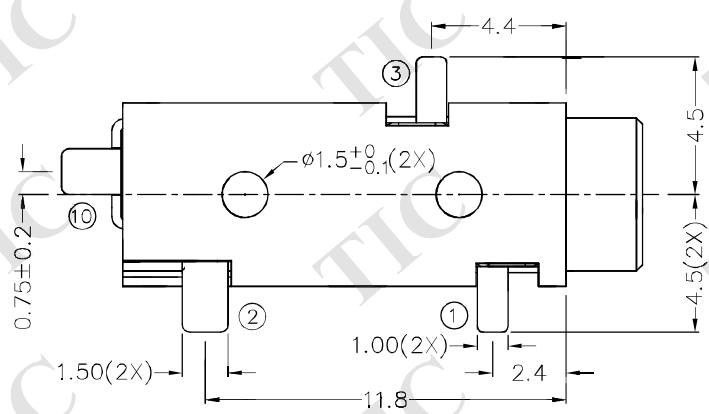
2

2

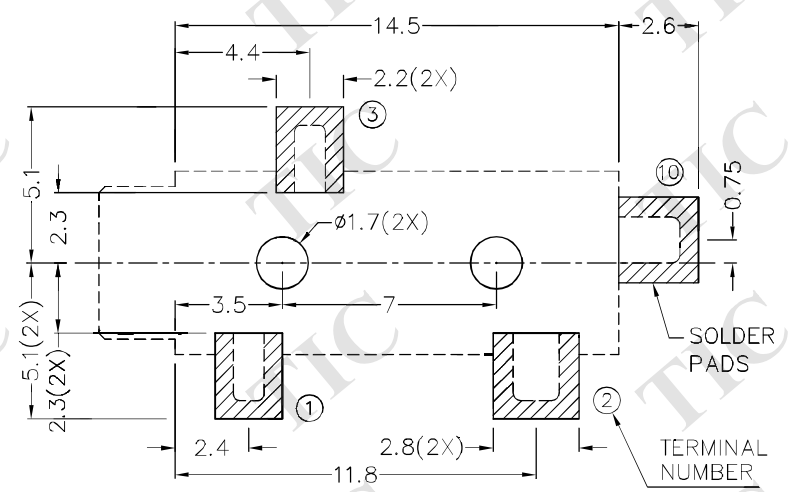


3

3

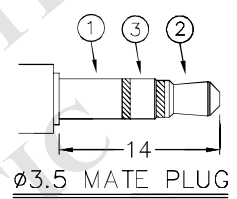


* MATERIAL
 TERMINAL 1 : COPPER ALLOY
 TERMINAL 2 : COPPER ALLOY
 TERMINAL 3 : COPPER ALLOY
 TERMINAL 10 : BRASS
 HOUSING : HIGH TEMP. PLASTIC



4

4



MODEL NO.	TSH-3874D	TSH-3873D	TSH-3873AD
SCHEMATIC			

RECOMMENDED PCB LAYOUT
 TOLERANCE: ±0.05
 (TOP VIEW)



TECHNIK INDUSTRIAL CO. LTD.

DESIGN	J.X.KUANG	DATE	12-11-2004	SCALE	4:1
DRAWING	T.Y.LI	DATE	30-12-2016	MATERIAL	*
CHECK	H.L.TAN	DATE	30-12-2016	DWG. NO.	TZ\SH387D-A/1.0
APPROVAL		DATE		SHEET	

PART NAME	3.5mm SMD STEREO JACK	TOLERANCE UNLESS	0.0±0.2	UNIT:	mm
PART NO.	TSH-387D	OTHERWISE SPECIFIED:	0.00±0.1 0.000±0.05		

F

E

D

C

B

A