

F

E

D

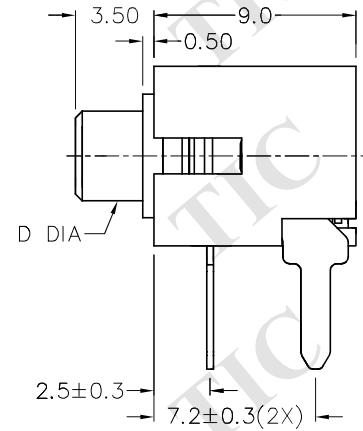
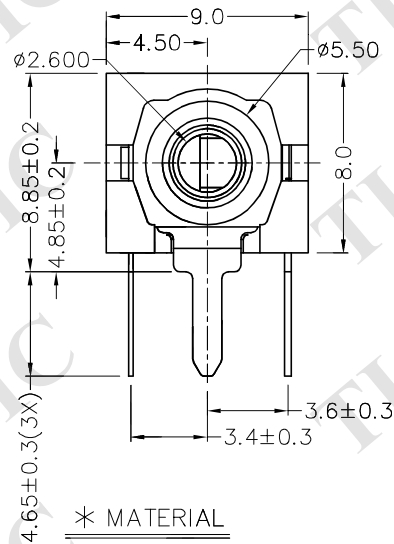
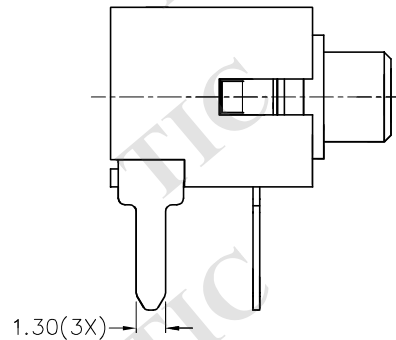
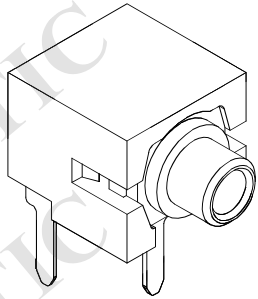
C

B

A

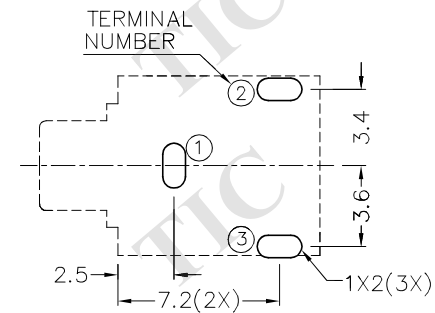
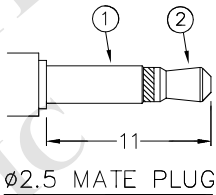
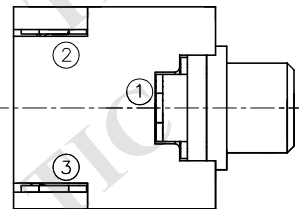
ZONE	SYMBOL	REVISION	APPROVAL	DATE

RoHS
Compliant



* MATERIAL

- TERMINAL 1 : BRASS
- TERMINAL 2 : COPPER ALLOY
- TERMINAL 3 : BRASS
- BUSHING : BRASS
- HOUSING : THERMOPLASTIC



RECOMMENDED PCB LAYOUT
TOLERANCE: ±0.05
(TOP VIEW)

MODEL NO.	TG-256N	TG-256F
D DIA	THREADED M4X0.5	FLASHED ø4.0
SCHEMATIC		



TECHNIK INDUSTRIAL CO.LTD.

DESIGN	T.Y.LI	DATE	1-3-2004	SCALE	3:1
DRAWING	J.H.ZHOU	DATE	27-2-2017	MATERIAL	*
CHECK	H.L.TAN	DATE	27-2-2017	DWG. NO.	TZ\TG256-B/1.0
APPROVAL		DATE		SHEET	

PART NAME	2.5mm PHONE JACK	TOLERANCE UNLESS	0.0±0.2 0.00±0.1	UNIT:	
PART NO.	TG-256	OTHERWISE SPECIFIED:	0.000±0.05	mm	

F

E

D

C

B

A