

F

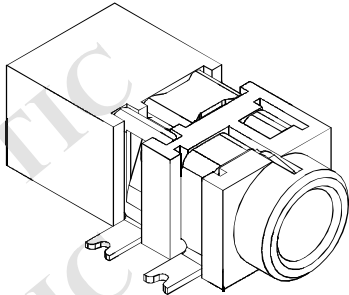
E

D

C

B

A

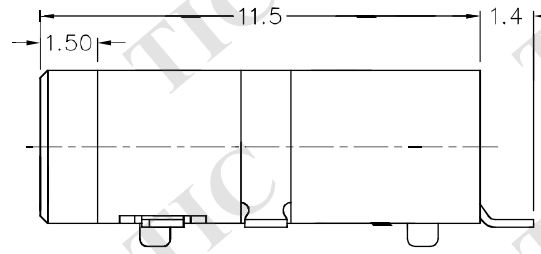
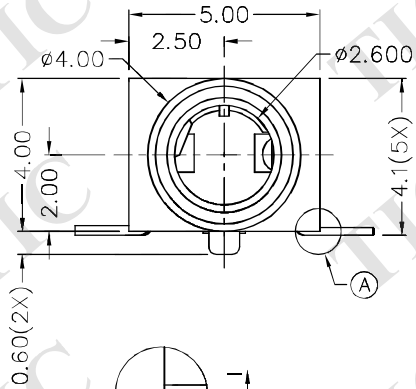
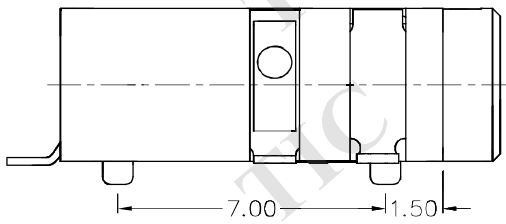


RoHS  
Compliant

ZONE	SYMBOL	REVISION	APPROVAL	DATE

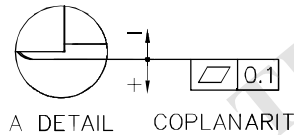
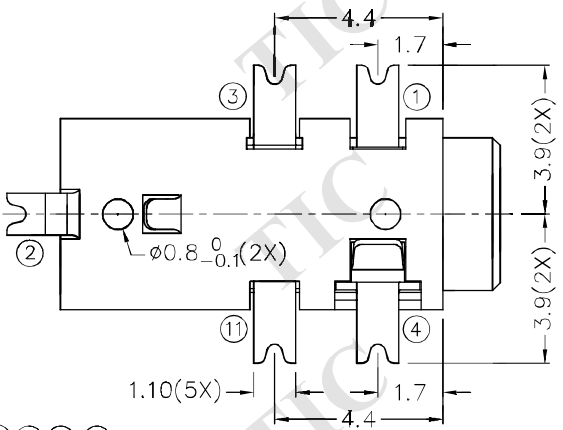
1

1



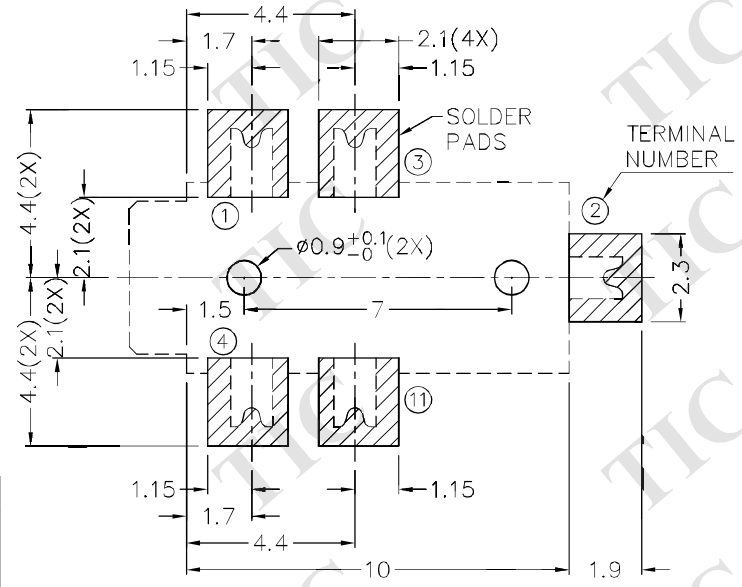
2

2



\* MATERIAL

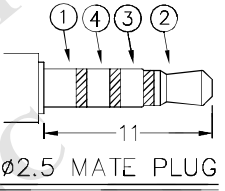
- TERMINAL 1 : COPPER ALLOY
- TERMINAL 2 : COPPER ALLOY
- TERMINAL 3 : COPPER ALLOY
- TERMINAL 4 : COPPER ALLOY
- TERMINAL 11 : BRASS
- HOUSING : HIGH TEMP. PLASTIC



RECOMMENDED PCB LAYOUT  
TOLERANCE: ±0.05  
(TOP VIEW)

3

3



MODEL NO.	TG-2845D	TG-2844BD
SCHEMATIC		

4

4



TECHNIK INDUSTRIAL CO. LTD.

DESIGN	T.Y.LI	DATE	19-11-2003	SCALE	5:1
DRAWING	J.CH.OU	DATE	6-3-2017	MATERIAL	*
CHECK	H.L.TAN	DATE	6-3-2017	DWG. NO.	TZ\TG284D-A/1.0
APPROVAL		DATE		SHEET	

PART NAME	2.5mm SMD STEREO JACK	TOLERANCE UNLESS	0.0±0.2	UNIT:	mm
PART NO.	TG-284D	OTHERWISE SPECIFIED:	0.00±0.1 0.000±0.05		

F

E

D

C

B

A