

F

E

D

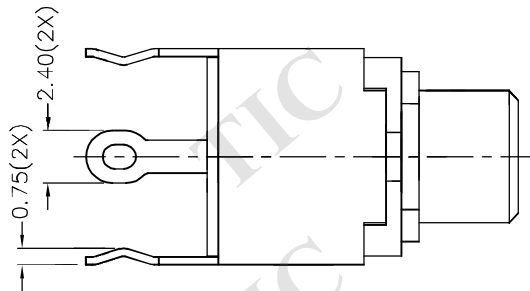
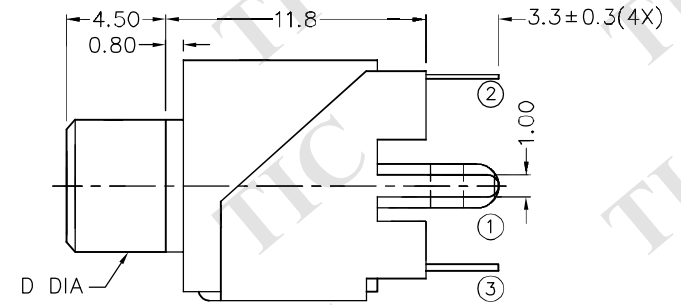
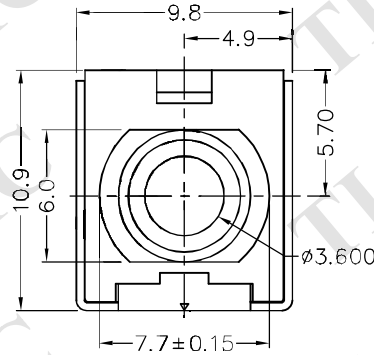
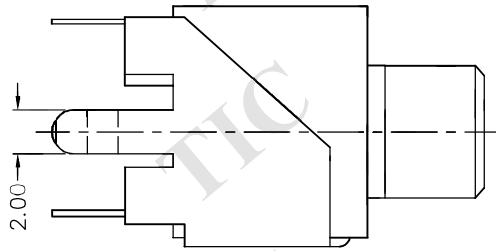
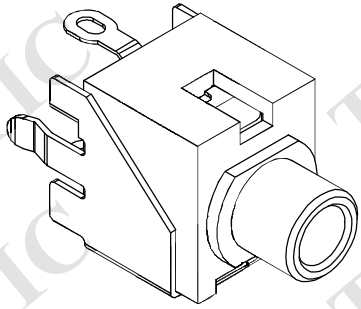
C

B

A

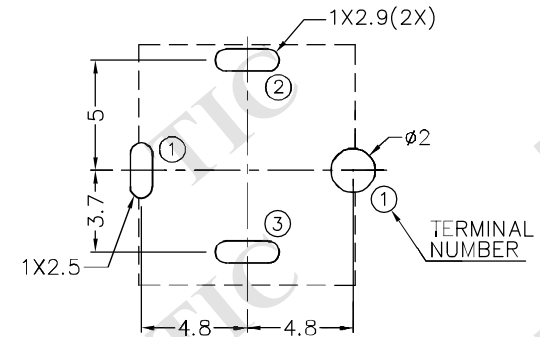
ZONE	SYMBOL	REVISION	APPROVAL	DATE

RoHS
Compliant

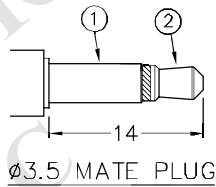


* MATERIAL

- TERMINAL 1 : COLD ROLLED STEEL
- TERMINAL 2 : COPPER ALLOY
- TERMINAL 3 : BRASS
- BUSHING : BRASS
- HOUSING : THERMOPLASTIC



RECOMMENDED PCB LAYOUT
TOLERANCE: ±0.05
(TOP VIEW)



MODEL NO.	TG-35N4-4	TG-35F5-4
D DIA	THREADED	FLASHED
	M6X0.5	∅5.5
SCHEMATIC		



TECHNIK INDUSTRIAL CO. LTD.

PART NAME	3.5mm PHONE JACK	TOLERANCE UNLESS	0.0±0.2	UNIT:
PART NO.	TG-35-4	OTHERWISE SPECIFIED:	0.00±0.1 0.000±0.05	

DESIGN	J.X.KUANG	DATE	13-12-2003	SCALE	3:1
DRAWING	T.Y.LI	DATE	20-9-2016	MATERIAL	*
CHECK	H.L.TAN	DATE	20-9-2016	DWG. NO.	TZ\TG35-4-B/1.0
APPROVAL		DATE	20-9-2016	SHEET	

F

E

D

C

B

A