

F

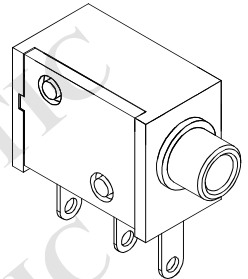
E

D

C

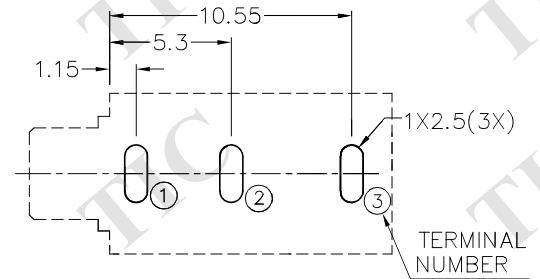
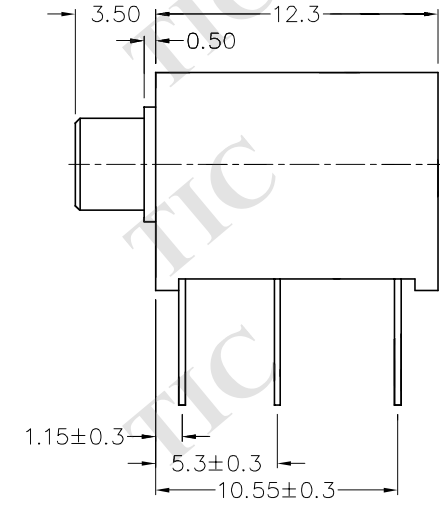
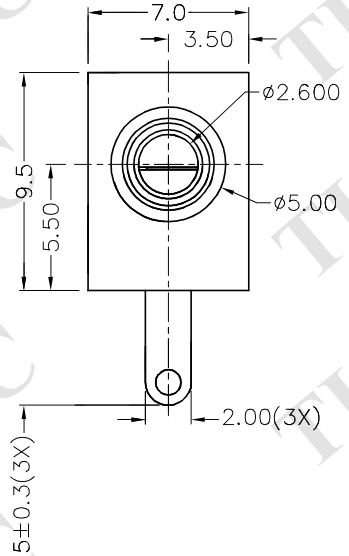
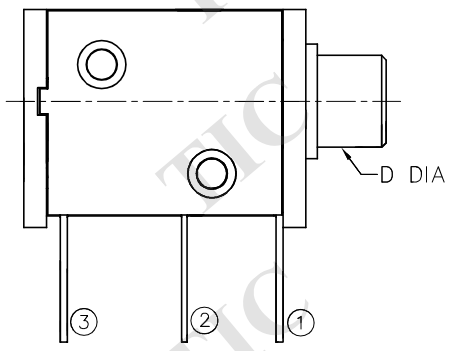
B

A



RoHS  
Compliant

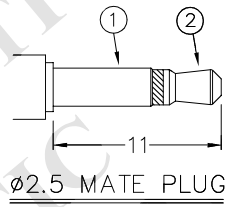
ZONE	SYMBOL	REVISION	APPROVAL	DATE



MODEL NO.	TG-402N	TG-402F
D DIA	THREADED M4X0.5	FLASHED ø4.0
SCHEMATIC		

\* MATERIAL

TERMINAL 1 : BRASS  
 TERMINAL 2 : COPPER ALLOY  
 TERMINAL 3 : BRASS  
 BUSHING : BRASS  
 HOUSING : THERMOPLASTIC  
 COVER : THERMOPLASTIC



RECOMMENDED PCB LAYOUT  
TOLERANCE: ±0.05  
(TOP VIEW)



TECHNIK INDUSTRIAL CO.LTD.

DESIGN	T.Y.LI	DATE	19-3-2007	SCALE	3:1
DRAWING	H.Q.ZHOU	DATE	13-3-2017	MATERIAL	*
CHECK	H.L.TAN	DATE	13-3-2017	DWG. NO.	TZ\TG402-B/1.0
APPROVAL		DATE		SHEET	

PART NAME	2.5mm PHONE JACK	TOLERANCE UNLESS	0.0±0.2	UNIT:	mm
PART NO.	TG-402	OTHERWISE SPECIFIED:	0.00±0.1 0.000±0.05		

F

E

D

C

B

A