

F

E

D

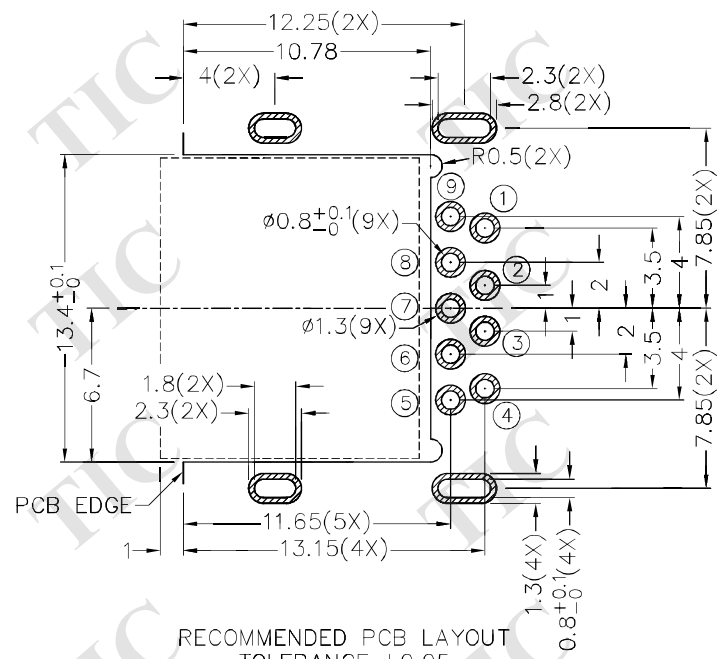
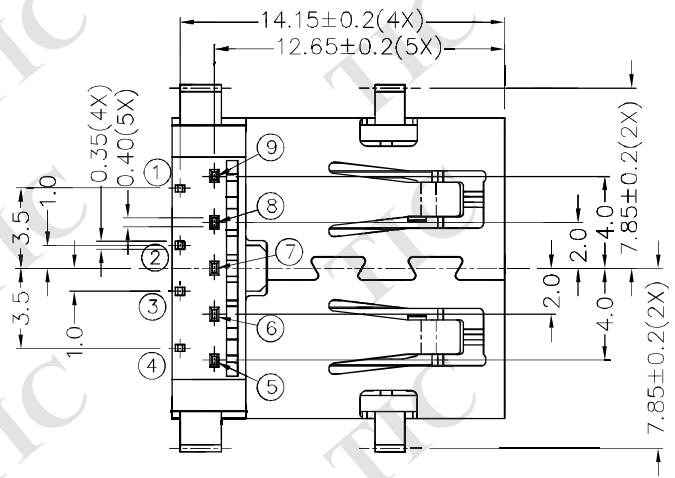
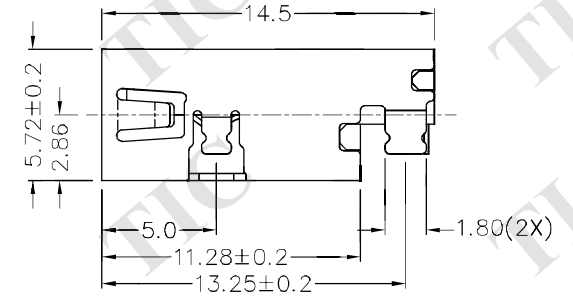
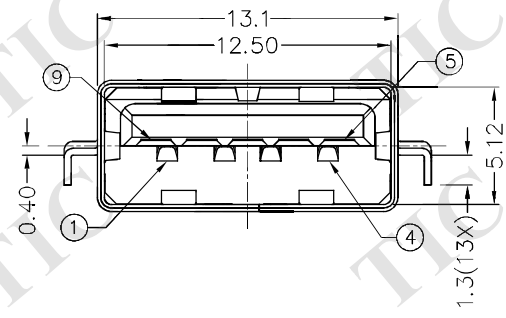
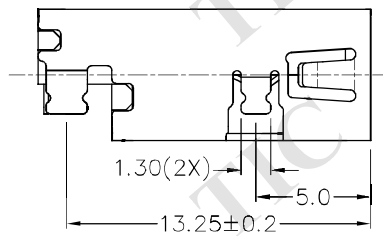
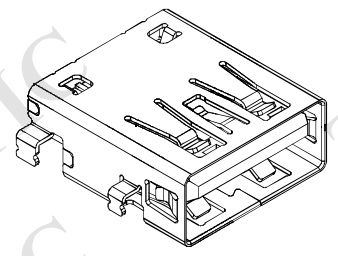
C

B

A

ZONE	SYMBOL	REVISION	APPROVAL	DATE

RoHS
Compliant

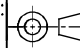


RECOMMENDED PCB LAYOUT
TOLERANCE: ±0.05
(TOP VIEW)

DESCRIPTION	MATERIAL	PLATING
TERMINALS	COPPER ALLOY	NICKEL(Ni) ON ALL AREA, GOLD FLASH ON CONTACT AND SOLDER AREA
SHIELD	STAINLESS STEEL	NICKEL(Ni)
INSULATOR	HIGH TEMP. THERMOPLASTIC	COLOR: BLUE

 TIC TECHNIK INDUSTRIAL CO. LTD.

DESIGN	H.L.TAN	DATE	23-4-2019	SCALE	3:1
DRAWING	H.Q.ZHOU	DATE	23-4-2019	MATERIAL	
CHECK	T.Y.LI	DATE	23-4-2019	DWG. NO.	TZ\UB3001D-A/1.0
APPROVAL		DATE		SHEET	1/1

PART NAME	USB 3.0 A TYPE CONNECTOR	TOLERANCE UNLESS	0.0±0.2 0.00±0.1	UNIT:	
PART NO.	TUB-3001D	OTHERWISE SPECIFIED:	0.000±0.05		

F

E

D

C

B

A