

F

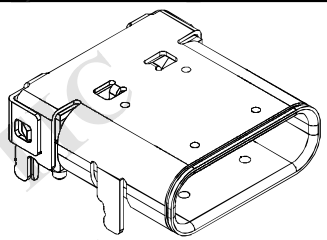
E

D

C

B

A

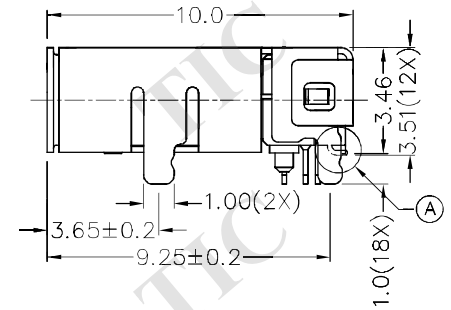
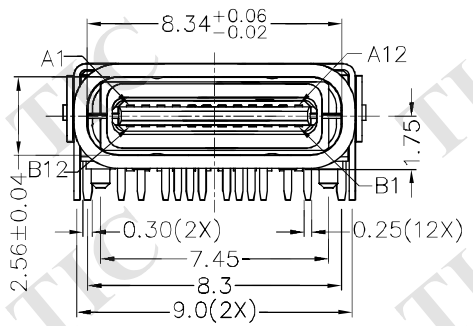
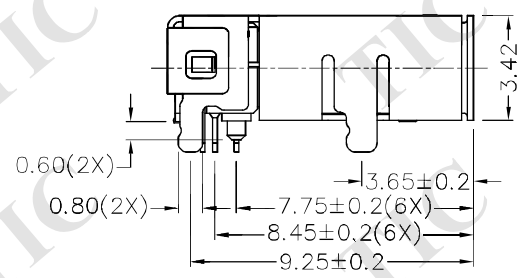


RoHS
Compliant

ZONE	SYMBOL	REVISION	APPROVAL	DATE
		UPDATE PIN DESCRIPTION	J.X.KUANG	9-1-2019

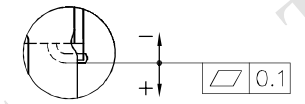
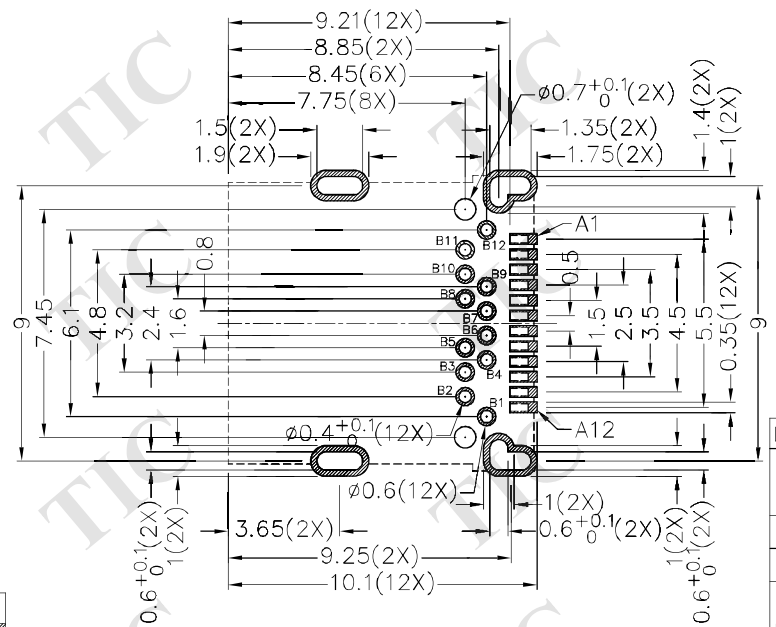
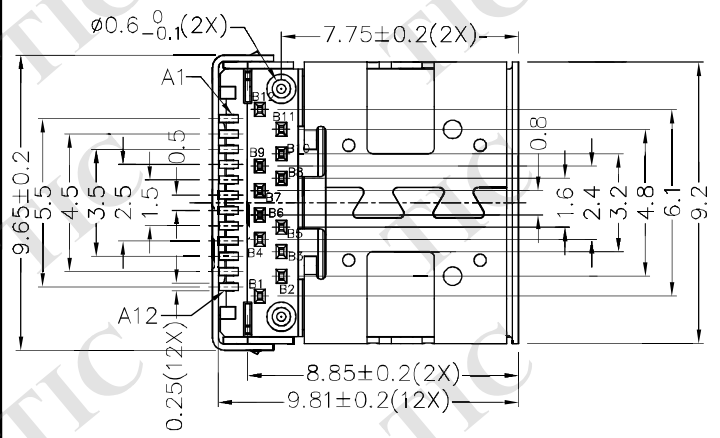
1

1



2

2



A DETAIL COPLANARITY

3

3

PIN ASSIGNMENT (FRONT VIEW)

PIN NO.	A1	A2	A3	A4	A5	A6	A7	A8	A9	A10	A11	A12
	GND	TX1+	TX1-	VBus	CC1	D+	D-	SBU1	VBus	RX2-	RX2+	GND
PIN NO.	B12	B11	B10	B9	B8	B7	B6	B5	B4	B3	B2	B1
	GND	RX1+	RX1-	VBus	SBU2	D-	D+	CC2	VBus	TX2-	TX2+	GND

RECOMMENDED PCB LAYOUT
TOLERANCE: ±0.05
(TOP VIEW)

DESCRIPTION	MATERIAL	PLATING
CONTACT	COPPER ALLOY	NICKEL PLATED ON ALL AREA, GOLD FLASH ON CONTACT & SOLDER AREA
SHELL	BRASS	NICKEL PLATED
COVER SHELL	STAINLESS STEEL	NICKEL PLATED
INNER GROUND COVER SHELL	STAINLESS STEEL	
MID PLATE	STAINLESS STEEL	NICKEL PLATED
INSULATOR	HIGH TEMP. PLASTIC	COLOR: BLACK

4

4



TECHNIK INDUSTRIAL CO. LTD.

DESIGN	H.L.TAN	DATE	7-10-2016	SCALE	4:1
DRAWING	Y.J.GUO	DATE	9-1-2019	MATERIAL	
CHECK	T.Y.LI	DATE	9-1-2019	DWG. NO.	TZ\UBC001D-A/1.1
APPROVAL		DATE		SHEET	

PART NAME	USB 3.1 TYPE-C CONNECTOR	TOLERANCE UNLESS	0.0±0.2	UNIT:	mm
PART NO.	TUB-C001D	OTHERWISE SPECIFIED:	0.00±0.1 0.000±0.05		

F

E

D

C

B

A