

F

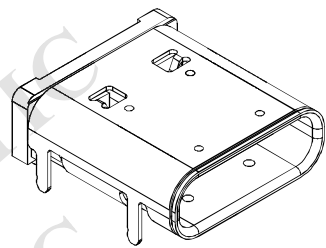
E

D

C

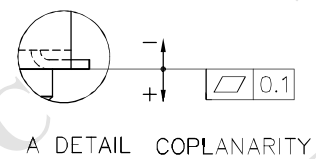
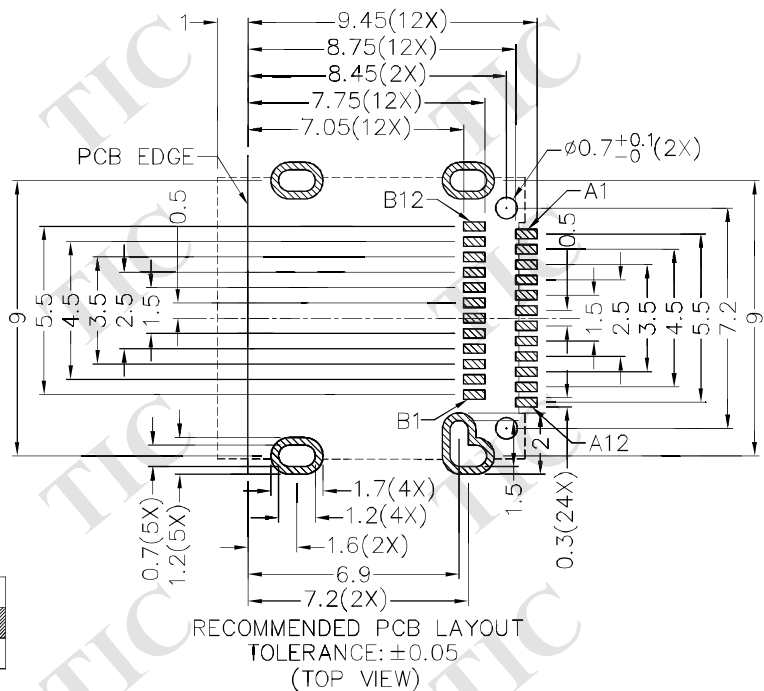
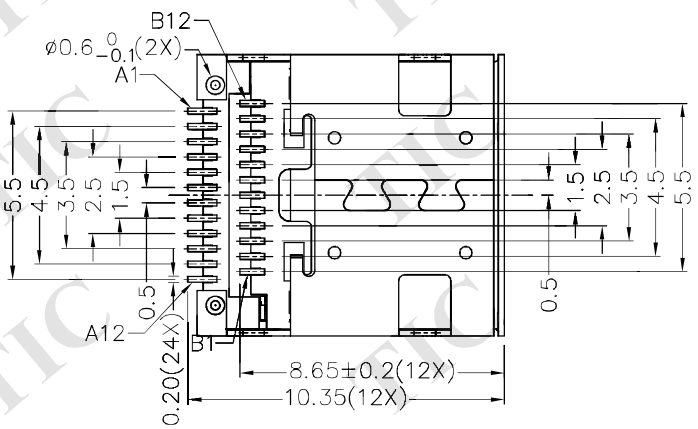
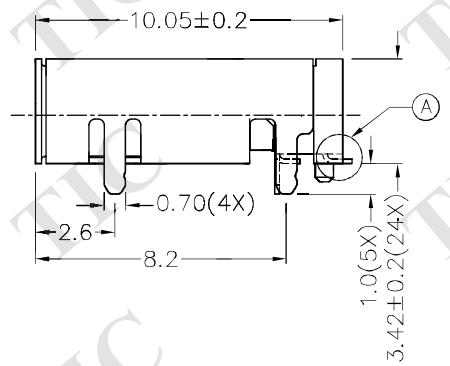
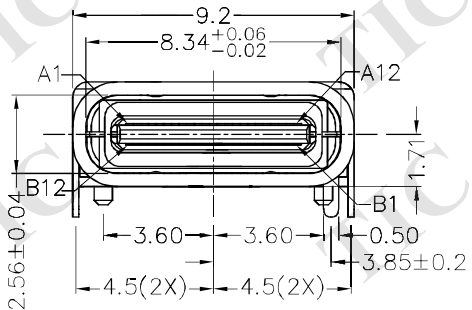
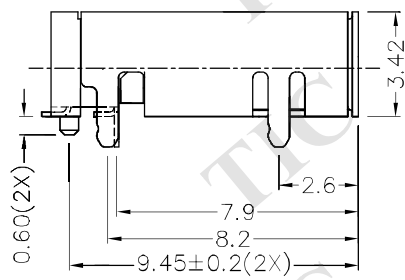
B

A



RoHS
Compliant

| ZONE | SYMBOL | REVISION | APPROVAL | DATE |
|------|--------|----------|----------|------|
| | | | | |
| | | | | |
| | | | | |



| | | | | | | | | | | | | |
|---------|-----|------|------|------|------|----|----|------|------|------|------|-----|
| PIN NO. | A1 | A2 | A3 | A4 | A5 | A6 | A7 | A8 | A9 | A10 | A11 | A12 |
| | GND | TX1+ | TX1- | Vbus | CC1 | D+ | D- | SBU1 | Vbus | RX2- | RX2+ | GND |
| PIN NO. | B12 | B11 | B10 | B9 | B8 | B7 | B6 | B5 | B4 | B3 | B2 | B1 |
| | GND | RX1+ | RX1- | Vbus | SBU2 | D- | D+ | CC2 | Vbus | TX2- | TX2+ | GND |

RECOMMENDED PCB LAYOUT
TOLERANCE: ±0.05
(TOP VIEW)

| DESCRIPTION | MATERIAL | PLATING |
|-----------------------------|--------------------|---|
| CONTACT | COPPER ALLOY | NICKEL(Ni) ON ALL AREA, GOLD FLASH ON CONTACT AND SOLDER AREA |
| SHELL | BRASS | NICKEL(Ni) |
| COVER SHELL | STAINLESS STEEL | NICKEL(Ni) |
| INNER GROUND COVER SHELL | STAINLESS STEEL | |
| MIDDLE PLATE | STAINLESS STEEL | NICKEL(Ni) |
| INSULATOR | HIGH TEMP. PLASTIC | COLOR: BLACK |

TIC TECHNIK INDUSTRIAL CO. LTD.

| | | | | | |
|----------|---------|------|----------|----------|------------------|
| DESIGN | H.L.TAN | DATE | 8-3-2019 | SCALE | 4:1 |
| DRAWING | Y.J.GUO | DATE | 1-4-2019 | MATERIAL | |
| CHECK | T.Y.LI | DATE | 1-4-2019 | DWG. NO. | TZ\UBC002D-A/1.0 |
| APPROVAL | | DATE | | SHEET | 1/1 |

| | | | | | |
|-----------|--------------------------|----------------------|------------------------|-------|--|
| PART NAME | USB 3.1 TYPE-C CONNECTOR | TOLERANCE UNLESS | 0.0±0.2 | UNIT: | |
| PART NO. | TUB-C002D | OTHERWISE SPECIFIED: | 0.00±0.1 0.000±0.05 | mm | |

F

E

D

C

B

A