

F

E

D

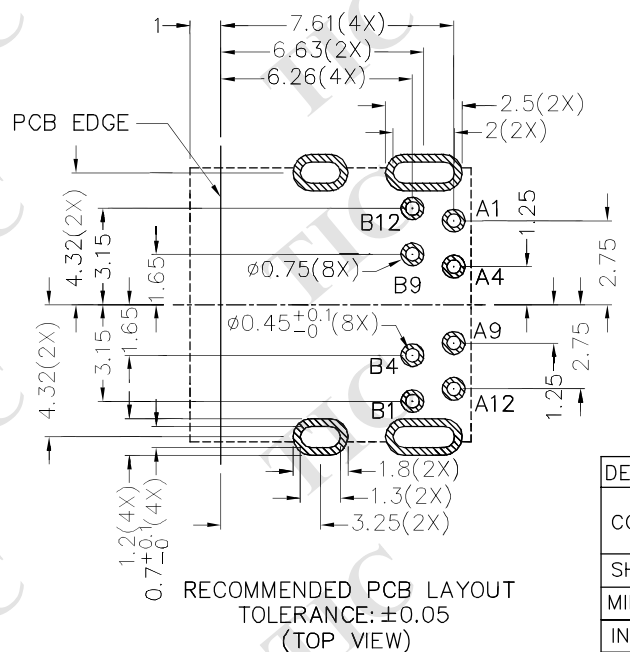
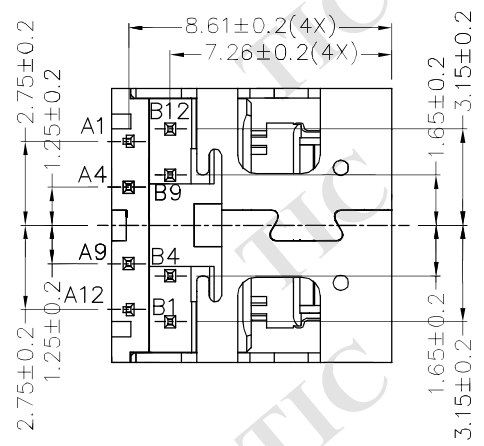
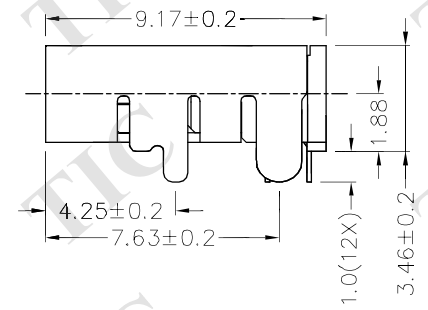
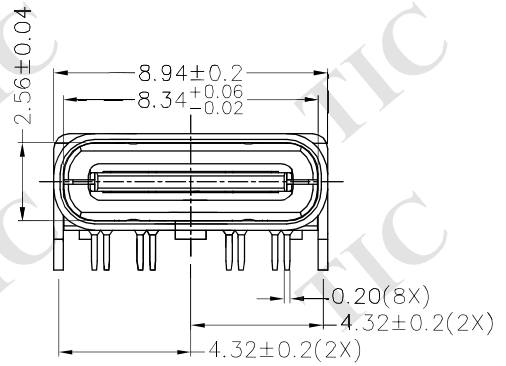
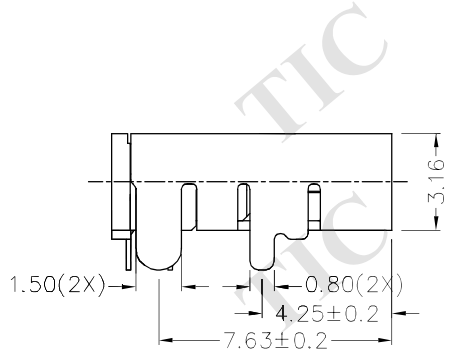
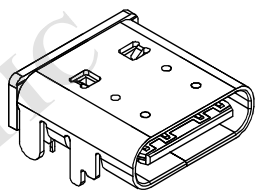
C

B

A

ZONE	SYMBOL	REVISION	APPROVAL	DATE

**RoHS**  
Compliant



PIN ASSIGNMENT (FRONT VIEW)

PIN NO.	A1	A4	A9	A12
	GND	VBus	VBus	GND
PIN NO.	B12	B9	B4	B1
	GND	VBus	VBus	GND

DESCRIPTION	MATERIAL	PLATING
CONTACT	COPPER ALLOY	NICKEL(Ni) PLATED ON ALL AREA, GOLD FLASH ON CONTACT & SOLDER AREA
SHELL	STAINLESS STEEL	NICKEL(Ni)
MIDDLE PLATE	STAINLESS STEEL	NICKEL(Ni)
INSULATOR	HIGH TEMP. PLASTIC	COLOR: BLACK

RECOMMENDED PCB LAYOUT  
TOLERANCE: ±0.05  
(TOP VIEW)

**TIC** TECHNIK INDUSTRIAL CO. LTD.

DESIGN	H.L.TAN	DATE	11-5-2020	SCALE	4:1
DRAWING	R.L.CHEN	DATE	14-8-2020	MATERIAL	
CHECK	T.Y.LI	DATE	14-8-2020	DWG. NO.	TZ\UBC005-A/1.0
APPROVAL		DATE		SHEET	1/1

PART NAME	USB TYPE-C CONNECTOR(POWER ONLY)	TOLERANCE UNLESS	0.0±0.2 0.00±0.1	UNIT:	mm
PART NO.	TUB-C005	OTHERWISE SPECIFIED:	0.000±0.05		

F

E

D

C

B

A