

F

E

D

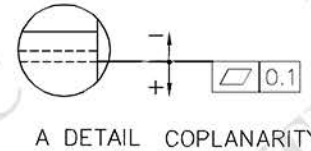
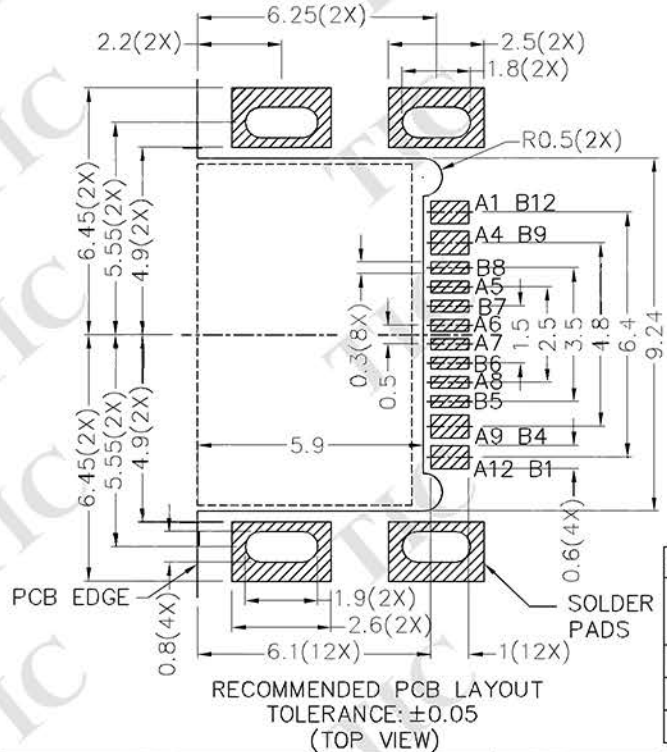
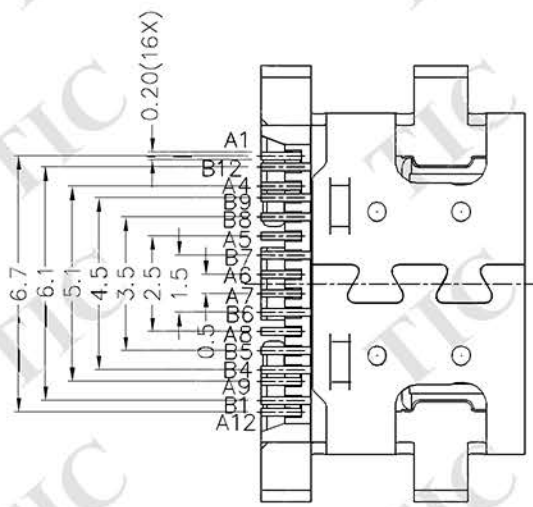
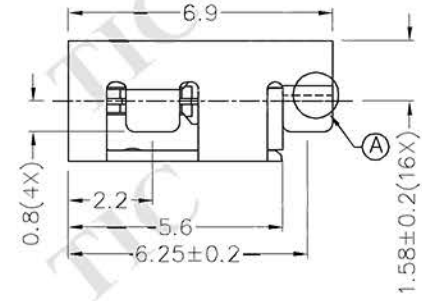
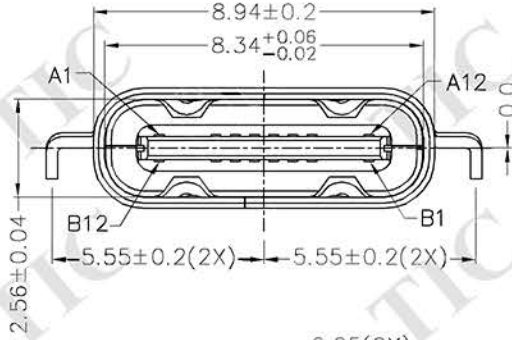
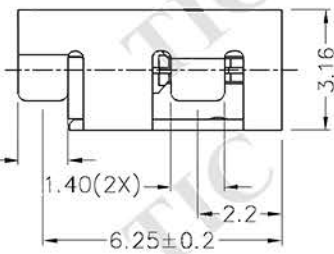
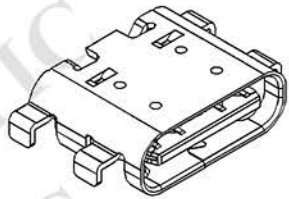
C

B

A

RoHS
Compliant

ZONE	SYMBOL	REVISION	APPROVAL	DATE



PIN ASSIGNMENT (FRONT VIEW)

PIN NO.	A1	A4	A5	A6	A7	A8	A9	A12
	GND	Vbus	CC1	D+	D-	SBU1	Vbus	GND
PIN NO.	B12	B9	B8	B7	B6	B5	B4	B1
	GND	Vbus	SBU2	D-	D+	CC2	Vbus	GND

DESCRIPTION	MATERIAL	PLATING
CONTACT	COPPER ALLOY	NICKEL(NI) PLATED ON ALL AREA, GOLD FLASH ON CONTACT & SOLDER AREA
SHELL	STAINLESS STEEL	NICKEL(NI)
MIDDLE PLATE	STAINLESS STEEL	NICKEL(NI)
INSULATOR	HIGH TEMP. PLASTIC	COLOR: BLACK

TIC TECHNICAL INDUSTRIAL CO. LTD.

DESIGN	H.L.TAN	DATE	17-3-2021	SCALE	5:1
DRAWING	H.Q.ZHOU	DATE	17-3-2021	MATERIAL	
CHECK	T.Y.LI	DATE	17-3-2021	DWG. NO.	TZ\UBC006D-A/1.0
APPROVAL		DATE		SHEET	1/1

PART NAME	USB 2.0 TYPE-C CONNECTOR	TOLERANCE UNLESS	0.0±0.2	UNIT:	mm
PART NO.	TUB-C006D	OTHERWISE SPECIFIED:	0.00±0.1 0.000±0.05		

F

E

D

C

B

A