

F

E

D

C

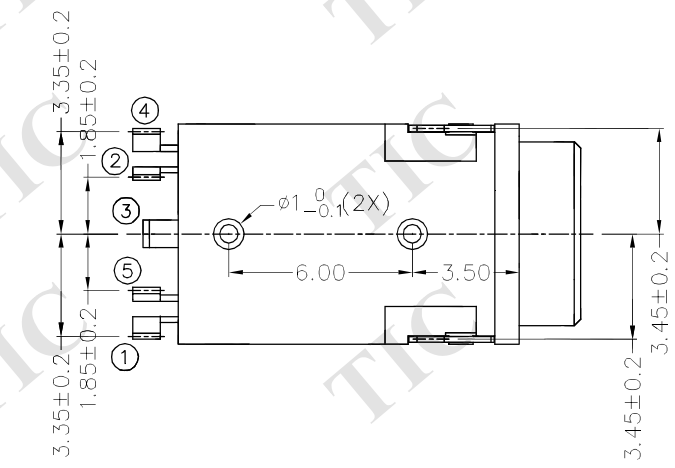
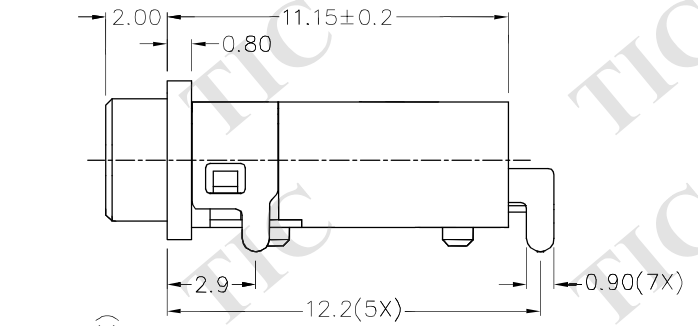
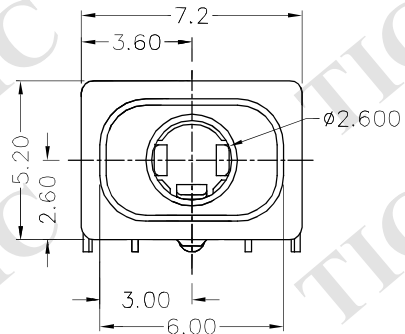
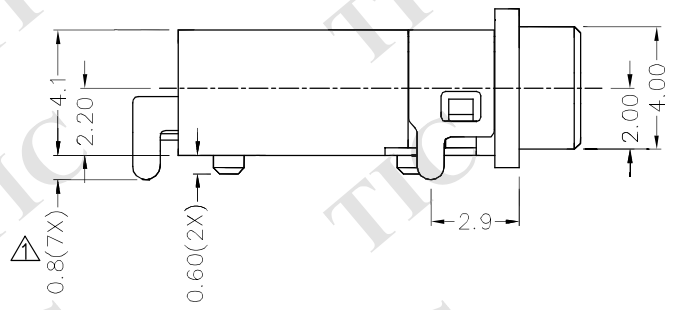
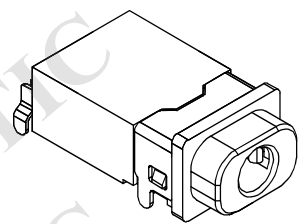
B

A



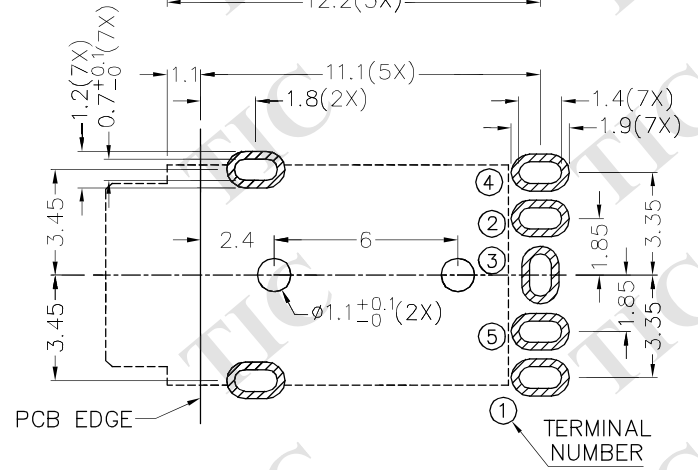
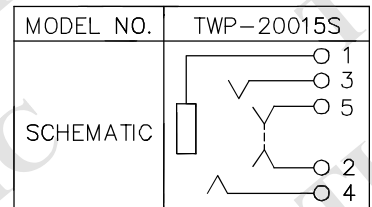
RoHS Compliant

ZONE	SYMBOL	REVISION	APPROVAL	DATE
F2	⚠	0.8(5X) MODIFIED TO 0.8(7X)	J.X.KUANG	23-7-2021

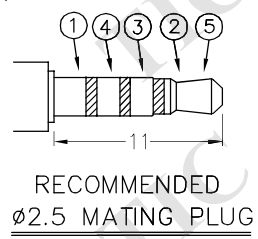


* MATERIAL

- TERMINAL 1 : COPPER ALLOY
- TERMINAL 2 : COPPER ALLOY
- TERMINAL 3 : COPPER ALLOY
- TERMINAL 4 : COPPER ALLOY
- TERMINAL 5 : COPPER ALLOY
- SHIELD : BRASS
- HOUSING : HIGH TEMP. PLASTIC
- COVER : HIGH TEMP. PLASTIC



RECOMMENDED PCB LAYOUT TOLERANCE: ±0.05 (TOP VIEW)



TIC TECHNIK INDUSTRIAL CO. LTD.

DESIGN	H.L.TAN	DATE	7-10-2020	SCALE	4:1
DRAWING	R.L.CHEN	DATE	23-7-2021	MATERIAL	*
CHECK	T.Y.LI	DATE	23-7-2021	DWG. NO.	TZ\WP2001S-A/1.1
APPROVAL		DATE		SHEET	1/1

PART NAME	2.5mm WATERPROOF/DUSTPROOF STEREO JACK	TOLERANCE UNLESS	0.0±0.2	UNIT:	mm
PART NO.	TWP-2001S	OTHERWISE SPECIFIED:	0.00±0.1		

F

E

D

C

B

A