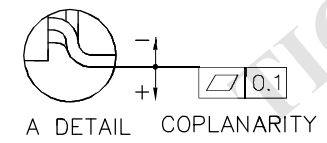
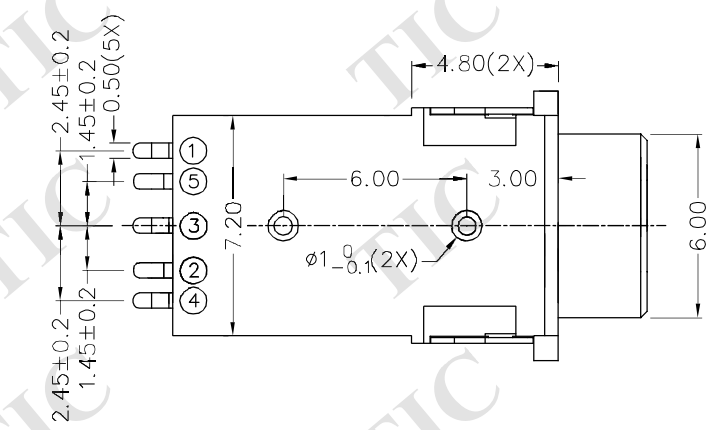
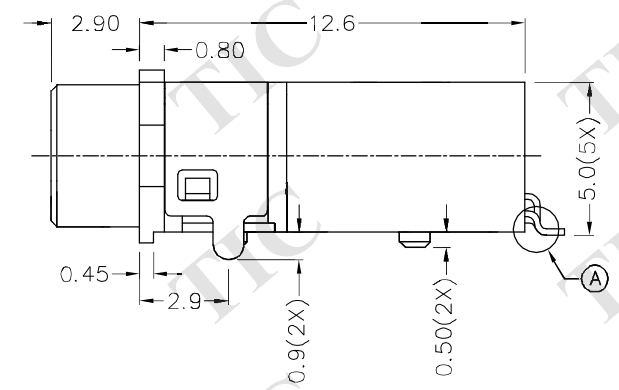
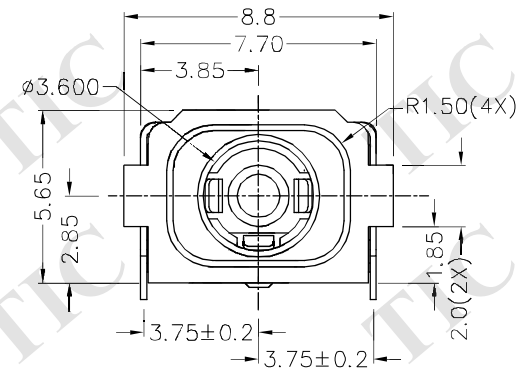
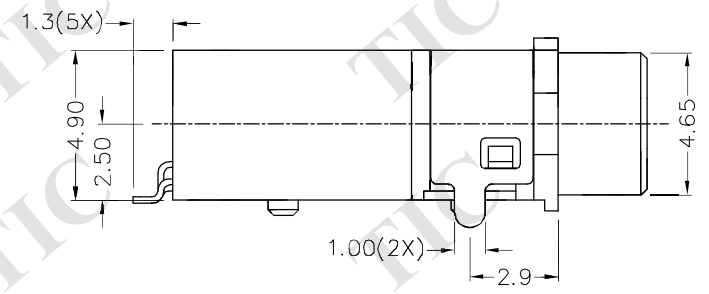
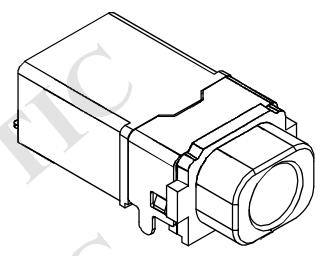
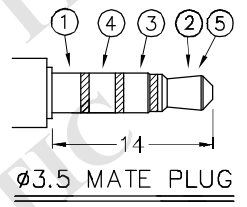
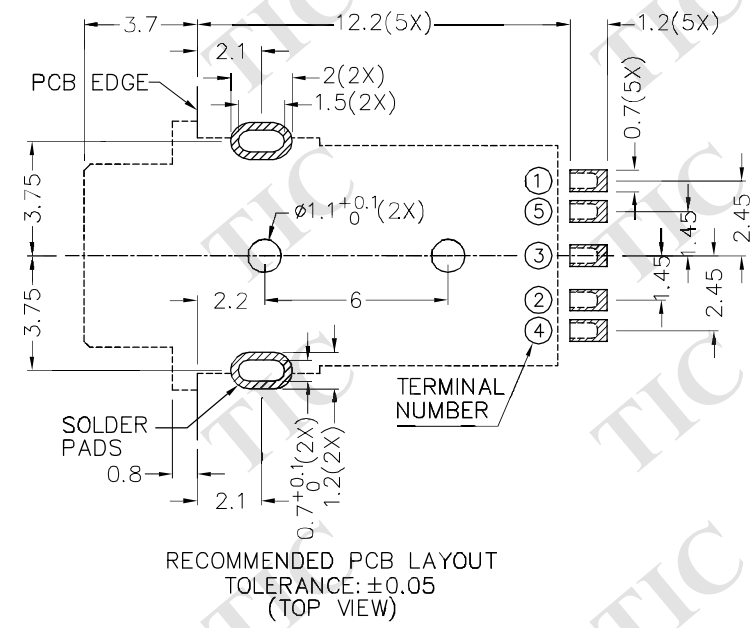
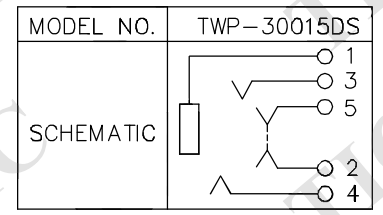


F E D C B A

ZONE	SYMBOL	REVISION	APPROVAL	DATE
		ADD DUSTPROOF LOGO	J.X.KUANG	6-11-2017



**\* MATERIAL**  
 TERMINAL 1 : COPPER ALLOY  
 TERMINAL 2 : COPPER ALLOY  
 TERMINAL 3 : COPPER ALLOY  
 TERMINAL 4 : COPPER ALLOY  
 TERMINAL 5 : COPPER ALLOY  
 SHIELD : BRASS  
 HOUSING : HIGH TEMP. PLASTIC  
 COVER : HIGH TEMP. PLASTIC



**TECHNIK INDUSTRIAL CO. LTD.**

PART NAME	3.5mm SMD WATERPROOF/DUSTPROOF STEREO JACK	TOLERANCE UNLESS	0.0±0.2	UNIT:	mm
PART NO.	TWP-3001DS	OTHERWISE SPECIFIED:	0.00±0.1 0.000±0.05		

DESIGN	H.L.TAN	DATE	21-5-2012	SCALE	4:1
DRAWING	G.P.YI	DATE	6-11-2017	MATERIAL	*
CHECK	T.Y.LI	DATE	6-11-2017	DWG. NO.	TZ\WP3001DS-A/2.0
APPROVAL	<i>[Signature]</i>	DATE	6-11-2017	SHEET	

F E D C B A