

F

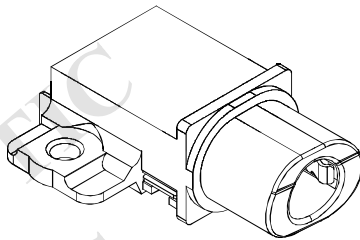
E

D

C

B

A

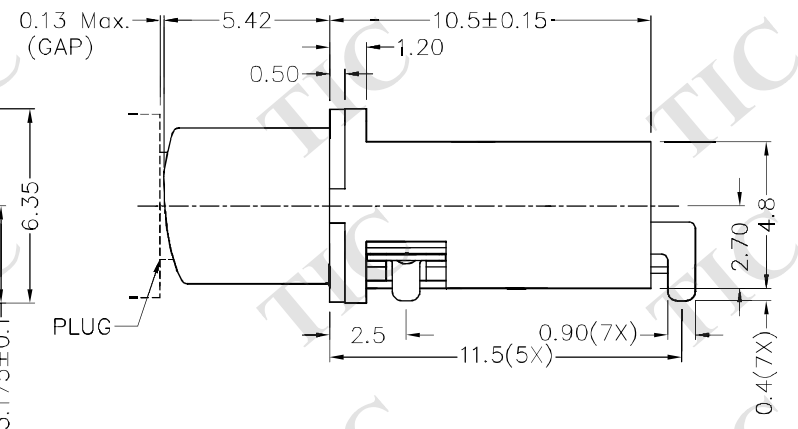
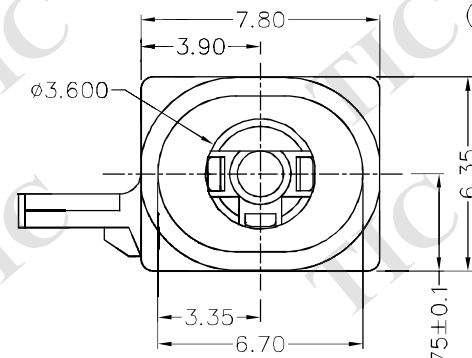
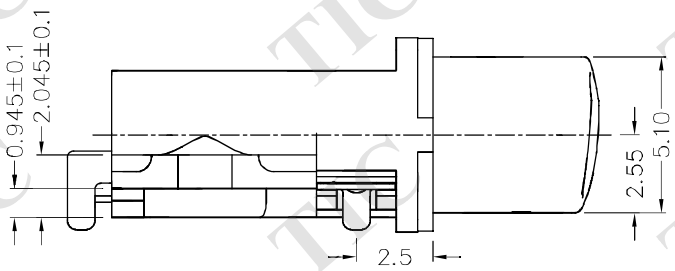


RoHS
Compliant

ZONE	SYMBOL	REVISION	APPROVAL	DATE
		ADD DUSTPROOF LOGO	J.X.KUANG	6-11-2017

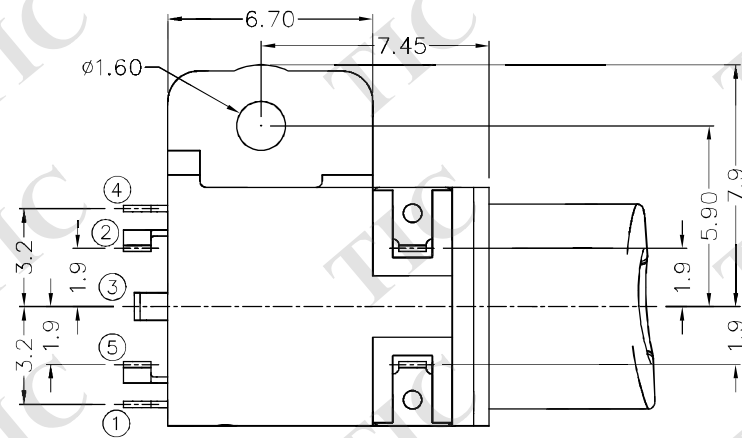
1

1



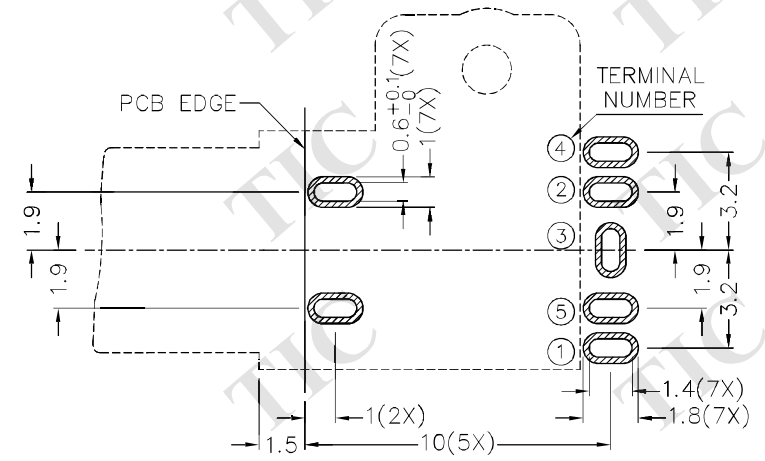
2

2



* MATERIAL

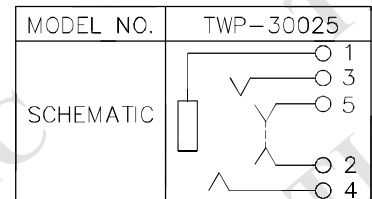
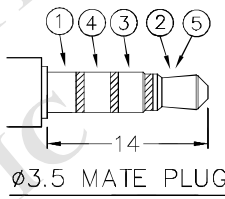
- TERMINAL 1 : COPPER ALLOY
- TERMINAL 2 : COPPER ALLOY
- TERMINAL 3 : COPPER ALLOY
- TERMINAL 4 : COPPER ALLOY
- TERMINAL 5 : COPPER ALLOY
- SUPPORT : BRASS
- HOUSING : THERMOPLASTIC
- COVER : THERMOPLASTIC



RECOMMENDED PCB LAYOUT
TOLERANCE: ±0.05
(TOP VIEW)

3

3



4

4



TECHNIK INDUSTRIAL CO.LTD.

DESIGN	H.L.TAN	DATE	4-6-2012	SCALE	4:1
DRAWING	Y.J.GUO	DATE	6-11-2017	MATERIAL	*
CHECK	T.Y.LI	DATE	6-11-2017	DWG. NO.	TZ\WP3002-B/2.0
APPROVAL		DATE		SHEET	

PART NAME	3.5mm WATERPROOF/DUSTPROOF STEREO JACK	TOLERANCE UNLESS	0.0±0.2	UNIT:	mm
PART NO.	TWP-3002	OTHERWISE SPECIFIED:	0.00±0.1 0.000±0.05		

F

E

D

C

B

A