

F

E

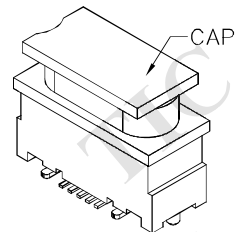
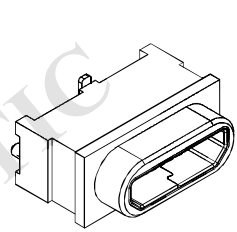
D

C

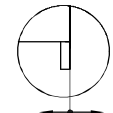
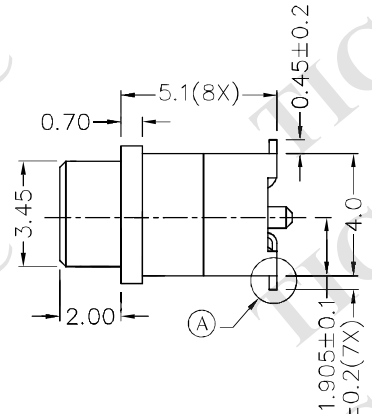
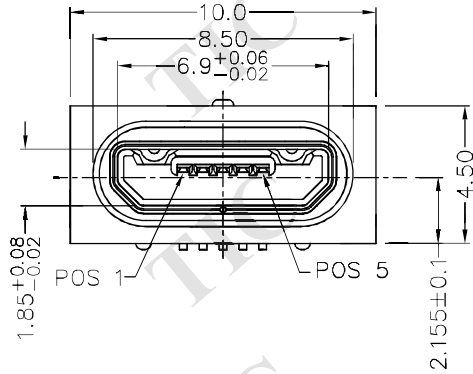
B

A

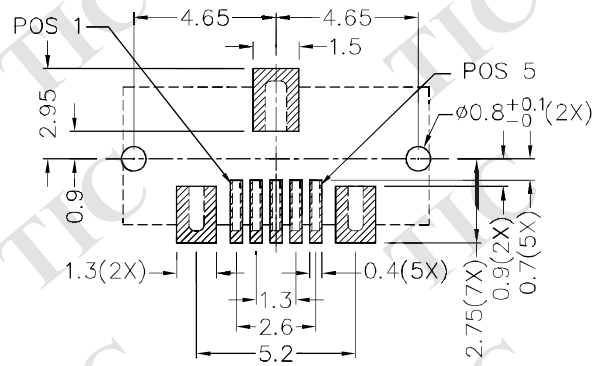
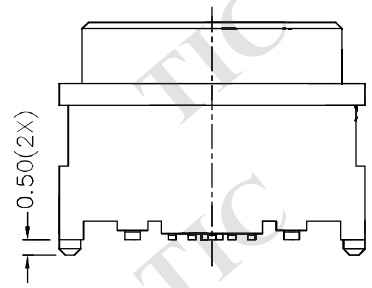
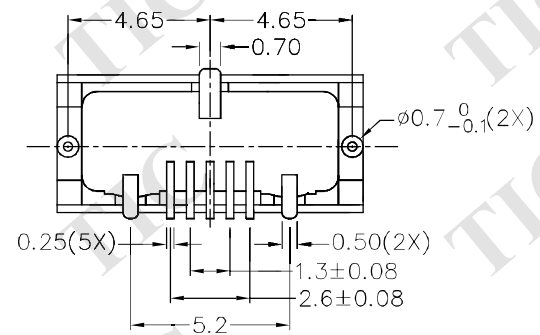
ZONE	SYMBOL	REVISION	APPROVAL	DATE



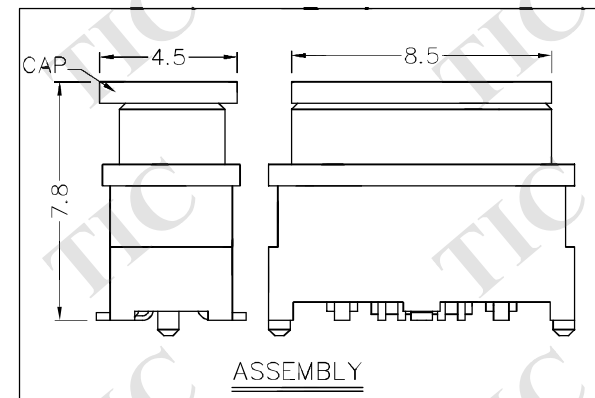
RoHS
Compliant



COPLANARITY
A DETAIL



RECOMMENDED PCB LAYOUT
TOLERANCE: ±0.05
(TOP VIEW)



DESCRIPTION	MATERIAL	PLATING
TERMINALS	COPPER ALLOY	NICKEL PLATED ON ALL AREA, GOLD FLASH ON CONTACT & SOLDER AREA
SHELL	STAINLESS STEEL	NICKEL PLATED
INSULATOR	HIGH TEMP. PLASTIC	COLOR:BLACK
HOUSING	HIGH TEMP. PLASTIC	COLOR:BLACK
CAP	HIGH TEMP. PLASTIC	COLOR:BLACK



TECHNIK INDUSTRIAL CO.LTD.

DESIGN	H.L.TAN	DATE	3-11-2017	SCALE	4:1
DRAWING	J.H.ZHOU	DATE	25-5-2018	MATERIAL	
CHECK	T.Y.LI	DATE	25-5-2018	DWG. NO.	TZ\WP4003D-A/1.0
APPROVAL		DATE		SHEET	

PART NAME	WATERPROOF/DUSTPROOF MICRO USB B TYPE CONNECTOR	TOLERANCE UNLESS	0.0±0.2	UNIT:	mm
PART NO.	TWP-4003D	OTHERWISE SPECIFIED:	0.00±0.1 0.000±0.05		

F

E

D

C

B

A